

BENCHMARK™

5124-044, 5124-042, 5124-041

HH0403, BM1740, BLM2050E



MANUAL



This product is supported by **Midland Power**. Contact us directly for assistance and warranty help. Do not return this product to store.

You must register online for your warranty to be valid. It only takes a minute, do it now while you still have your purchase receipt.

Register Your Product Online

[www.benchmark.midlandpowerinc.com/
register-warranty](http://www.benchmark.midlandpowerinc.com/register-warranty)



Support for your product is available online, including parts, service center locations, and live expert advice.

Visit us online at

www.benchmark.midlandpowerinc.com



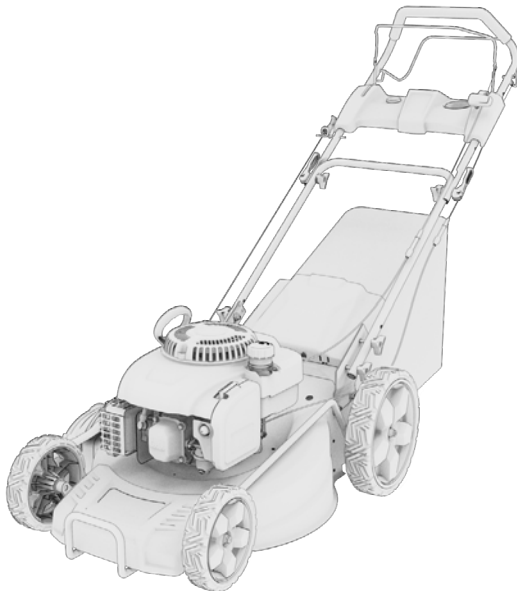
Or call us anytime at **1-877-528-3772**.

Thanks for choosing Benchmark!

You're excited to get started, we'll keep this brief.

READ THIS ENTIRE GUIDE BEFORE USING THIS PRODUCT AND SAVE FOR LATER USE.

This user guide contains important instructions including safety, setup, operation, and maintenance that must be followed. All information in this guide is based on information available at the time of print. This guide or revised editions can be found on our website for download. No part of this publication may be reproduced without written permission.



THIS PRODUCT MEETS ALL CERTIFICATION REQUIREMENTS FROM:



The engine exhaust from this product contains chemicals known to cause cancer, birth defects or other reproductive harm.




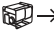
©2024 Benchmark. All Rights Reserved.

HH0403 BM1740 BLM2050E_Manual_EN_2024-02-26

TABLE OF CONTENTS

1. Safety	1
2. Learn About Your Lawn Mower	5
3. Getting Started	9
4. Pre-Operation Check	22
4.1 Check Oil Level	22
4.2 Check the Fuel Level	24
5. Starting the Engine	25
5.1 Manual Recoil Start	26
5.2 Electric Start (BLM2050E Only)	27
6. Stopping the engine	28
7. Using your lawn Mower	29
7.1. Clean Flooded Engine	29
7.2. Using the Self-propelled Function (BM1740, BLM2050E Only)	30
7.3 Emptying the Grass Bag	32
7.4 Vertical Storage	33
7.5 Mowing Tips	35
8. Maintenance	36
8.1 Maintenance Schedule	37
8.2 Changing the Engine Oil	38
8.3 Cleaning the Air-Filter	40
8.4 Replacing the Blade	42
8.5 Spark Plug Service	43
8.6 Speed Cable Adjustment	44
8.7 Fuel Filter Maintenance	44
8.8 Emission Control System	45
8.9 Carburetor Modification for High Altitude Operation	46
9. Transportation & Storage	48
10. Troubleshooting	50
11. Technical Specifications	51
12. Limited Warranty	52

1. SAFETY

⚠ DANGER	
Using an engine indoors CAN KILL YOU IN MINUTES . Engine exhaust contains carbon monoxide. This is a poison you cannot see or smell.	
 	 
NEVER use inside a home or garage, EVEN IF doors and windows are open.	Only use OUTSIDE and far away from windows, doors, and vents.
Avoid other engine hazards. READ MANUAL BEFORE USE.	

⚠ DANGER! ⚠

Using a engine indoors can kill you in minutes.

The engine exhaust from this product contains chemicals known to cause cancer, birth defects or other reproductive harm.

1.1 OPERATOR SAFETY

⚠ WARNING!

- Always perform an oil, fuel and air filter check before starting the engine.
- Properly clean and maintain the equipment.
- Operate the lawn mower according to instructions for safe and dependable service.
- Before operating the lawn mower, read the user guide carefully. Otherwise, it may result in personal injuries or equipment damage.
- **NEVER** run the lawn mower in an enclosed area to avoid harm from exhaust emissions of a poisonous carbon monoxide gas.
- Be careful not to touch the exhaust system during operation due to risk of burns.
- Pay attention to the warning labels. The engine exhaust system will become heated during operation and remain hot immediately after the engine is stopped.
- Gasoline is a highly flammable and explosive liquid. Refuel in a well ventilated area with the engine stopped.
- Use of gasoline with an ethanol content greater than 10% can damage the engine and fuel system and will void the manufacturer's warranty.
- When refueling the lawn mower, keep it away from cigarettes, open flames, smoke and/or sparks.

- Place the lawn mower at least 3 feet away from buildings or other equipment during operation.
- Run the lawn mower on a level surface. Tilting the lawn mower may result in fuel spills.
- Know how to stop the lawn mower quickly and understand operation of all the controls. NEVER permit anyone to operate the lawn mower without proper instructions.
- Keep children, pets and machinery with rotating parts away during operation.
- DO NOT operate the lawn mower in rain or snow.
- DO NOT operate the lawn mower if damaged. Have the machine repaired before use.
- DO NOT touch the spark plug while the engine is operating or shortly after the engine has been shut down.
- Wear ear and eye protection while operating this unit.

1.2 USE SAFETY

⚠ WARNING!

- DO NOT operate the lawn mower in a confined space where dangerous carbon monoxide fumes can collect.
- Refuel outdoors only and DO NOT smoke while refueling.
- NEVER remove the cap of the fuel tank or add gas while the engine is running or when the engine is hot.
- If gas is spilled, DO NOT attempt to start the engine but move the machine away from the area of spillage and avoid creating any source of ignition until gas vapours have dissipated.
- Always visually inspect to see that the blades, blade bolts and cutter assembly are not worn or damaged. Replace worn or damaged blades and bolts in sets to preserve balance.
- Mow only in daylight or in good artificial light.
- Avoid operating the equipment in wet grass, where feasible.
- Always be sure of your footing on slopes.
- Walk, NEVER run.
- Exercise extreme caution when changing direction on slopes.
- DO NOT mow excessively steep slopes.
- Use extreme caution when reversing or pulling the lawn mower towards you.
- Stop the blade(s) if the lawn mower has to be tilted for transportation

when crossing surfaces other than grass, and when transporting the lawn mower to and from the area to be mowed.

- NEVER operate the lawn mower with defective guards, or without safety devices, for example deflectors and/or grass catchers, in place.
- DO NOT change the engine governor settings or over speed the engine.
- Disengage all blade and drive clutches before starting the engine.
- Start the engine or switch on the motor carefully according to instructions and with feet well away from the blade(s).
- DO NOT tilt the lawn mower when starting the engine or switching on the motor, except if the lawn mower has to be tilted for starting. In this case, do not tilt it more than absolutely necessary and lift only the part which is away from the operator.
- DO NOT start the engine when standing in front of the discharge chute.
- DO NOT put hands or feet near or under rotating parts. Keep clear of the discharge opening at all times.
- NEVER pick up or carry a lawn mower while the engine is running.
- Stop the engine and disconnect the spark plug wire, make sure that all moving parts have come to a complete stop and, where a key is fitted remove the key.
 - Before refueling.
 - Before clearing blockages or unclogging chute.
 - Before checking, cleaning or working on the lawn mower.
 - After striking a foreign object. Inspect the lawn mower for damage and make repairs before restarting and operating the lawn mower.
 - If lawn mower starts to vibrate abnormally, check immediately.
 - Whenever you leave the lawn mower.

1.3 MAINTENANCE SAFETY


WARNING!

- Turn off the engine before performing any maintenance. Failure to do so can cause severe personal injury or death.
- Use rubber gloves when coming into contact with engine oil.
- After any maintenance is performed, wash immediately using soap and clean water, repeated exposure to lubricant may cause skin irritation.
- DO NOT clean the filter element with flammable liquids like gasoline, an explosion may occur.
- Allow the lawn mower to cool down before performing any maintenance.

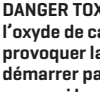
- Always stop the lawn mower before removing the oil filler cap.
- To reduce the fire hazard, keep the engine, silencer, battery compartment and gasoline storage area free of grass, leaves, or excessive grease.
- Drain the fuel tank outdoors only.
- Check the grass catcher frequently for wear or deterioration.
- Only qualified maintenance personnel with knowledge of fuels and machinery hazards should perform maintenance procedures.
- See 'Maintenance Schedule' for the recommended maintenance schedule.

1.4 OTHER SAFETY TIPS

⚠ WARNING ⚠
AVERTISSEMENT



TOXIC FUMES HAZARD. Running engines give off carbon monoxide, an odourless poisonous gas that can cause nausea, fainting, or death. Do not start engine indoors or in an enclosed area, even if the windows and doors are open.



DANGER TOXIQUE. Faire fonctionner un moteur dégage de l'oxyde de carbone, un gaz inodore toxique qui peut provoquer la nausée, évanouissement ou la mort. Ne démarrer pas le moteur à l'intérieur ou dans une espace clos, meme si les fenêtres et les portes sont ouvertes.

⚠ WARNING!

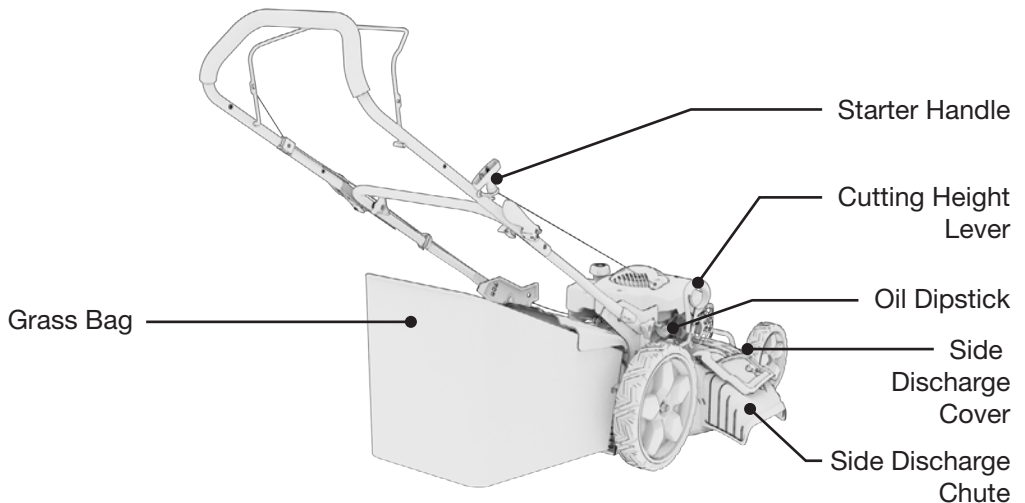
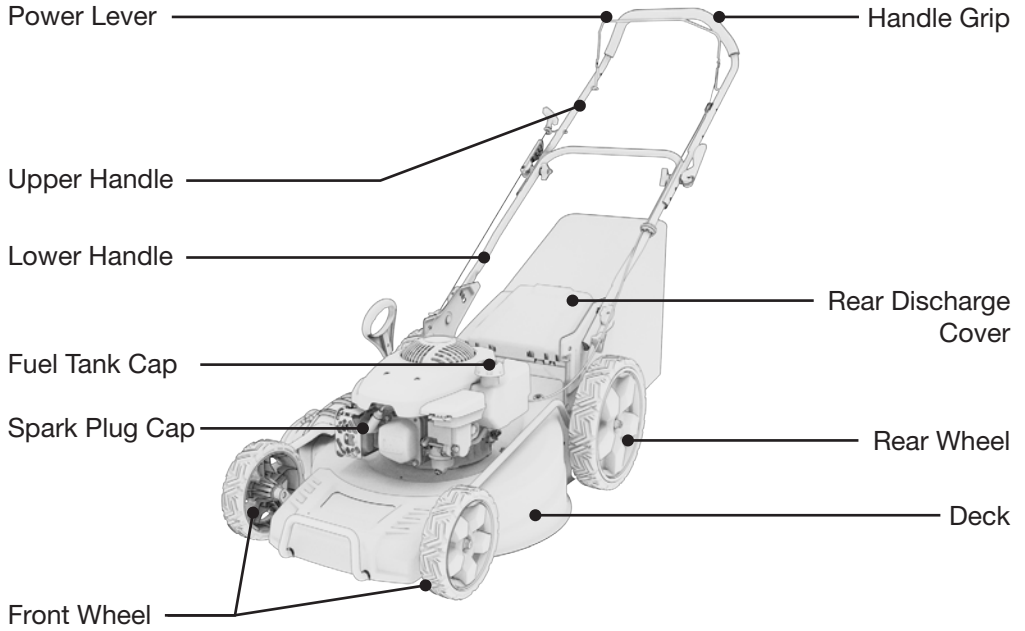
- Running engines give off carbon monoxide, an odourless poisonous gas that can cause nausea, fainting, or death. DO NOT start engine indoors or in an enclosed area even if the windows and doors are open.
- If you start to feel sick, dizzy, or weak after the engine has been running, move to fresh air RIGHT AWAY. See a doctor. You could have carbon monoxide poisoning.
- Lawn mowers vibrate in normal use. During and after the use of the lawn mower, inspect the product as well as extension cords and power supply cords connected to it for damage resulting from vibration. Have damaged items repaired or replaced as necessary. DO NOT use plugs or cords that show signs of damage such as broken or cracked insulation or damaged blades.

2. LEARN ABOUT YOUR LAWN MOWER

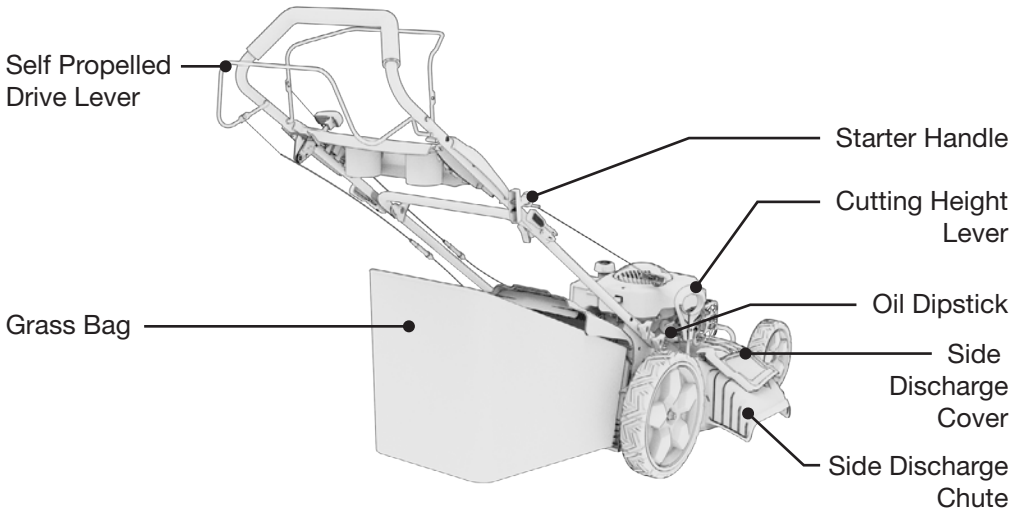
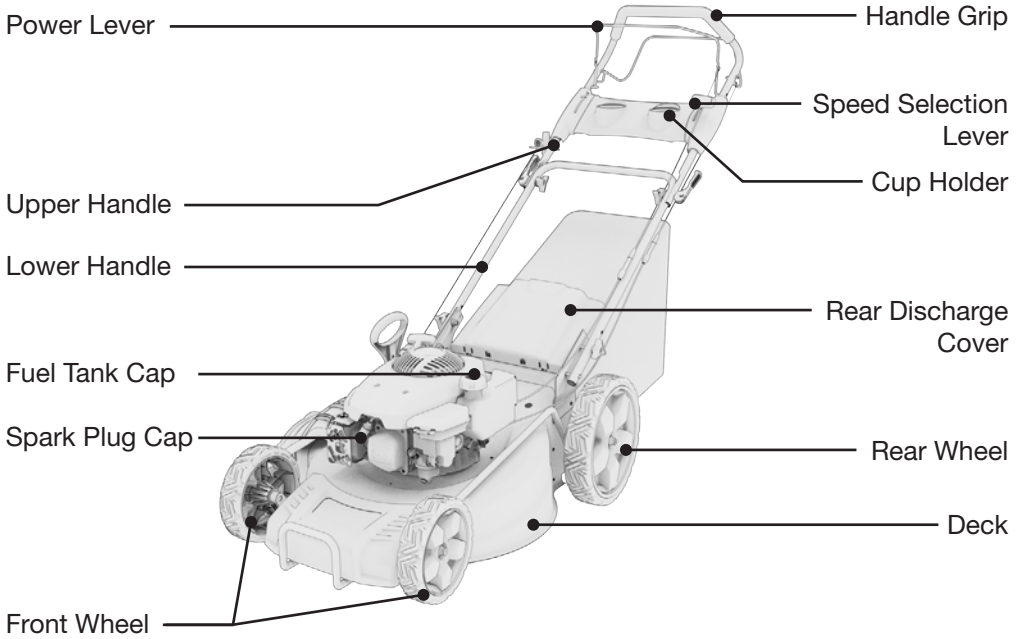
This section will show you how to identify key parts of your lawn mower. Going over the terminology below will make sure we're on the same page.

2.1 COMPONENT IDENTIFICATION

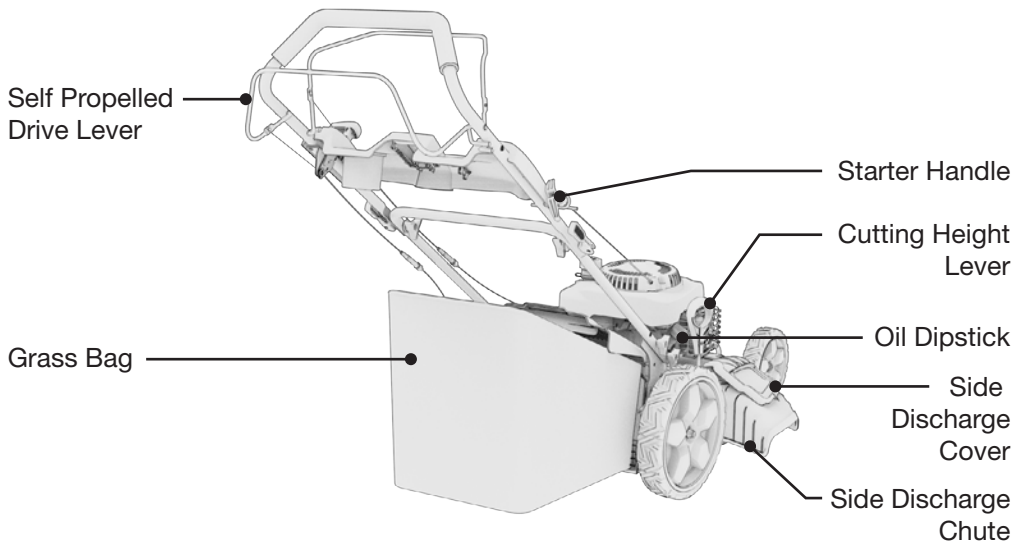
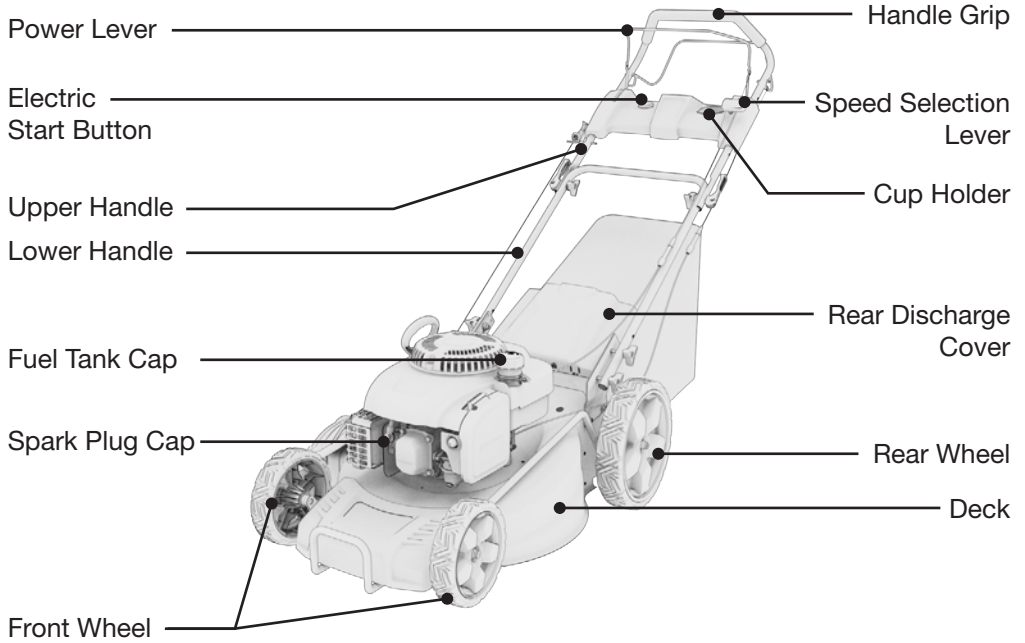
HH0403



BM1740



BLM2050E



2.2 CONTROL FUNCTIONS

Cutting Height Lever

- Adjust to set the cutting height.
- The cutting height ranges from 25mm to 75mm.

Grass Bag

- When installed, the grass bag collects the grass released by the rear discharge chute.

Power Lever

- Press and hold the power lever, the engine will switch ON.
- Release the power lever and the engine will switch OFF.

Starter Handle

- For manual start, pull the starter handle while holding the power lever to the handle grip.

Electric Start Button (BLM2050E Only)

- Start the lawn mower by pressing the electric start button while holding the power lever to the handle grip.

Self Propelled Drive Lever (BM1740, BLM2050E Only)

- Press the self propelled drive lever, and the lawnmower will start to move with the engine running.
- Release the drive lever to stop.

Speed Selection Lever (BM1740, BLM2050E Only)

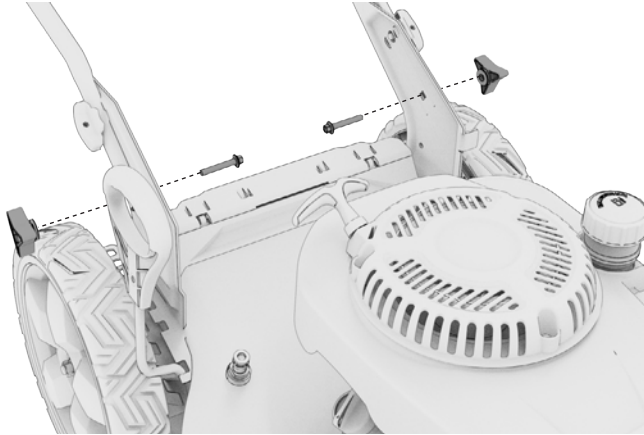
- Once engine is running, select drive speed 1, 2 or 3, to adjust the different propelled speed.

3. GETTING STARTED

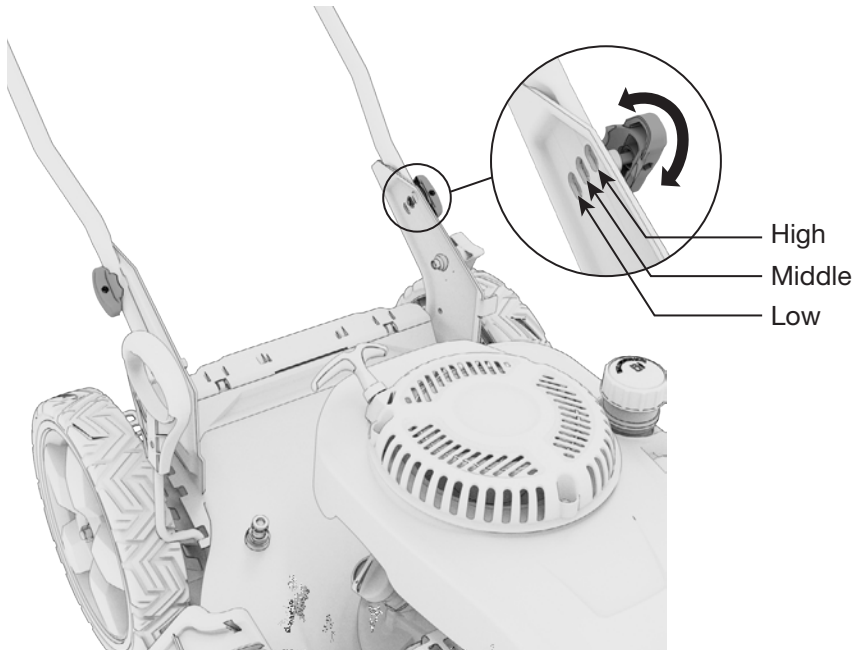
Setup of your lawn mower is designed to get you up and running as quickly as possible. Cut the four corners of the carton from top to bottom instead of attempting to lift it out of the box.

3.1 ASSEMBLING THE HANDLE

1. On each side of handle, insert the bolt and secure with washer and handle knob.



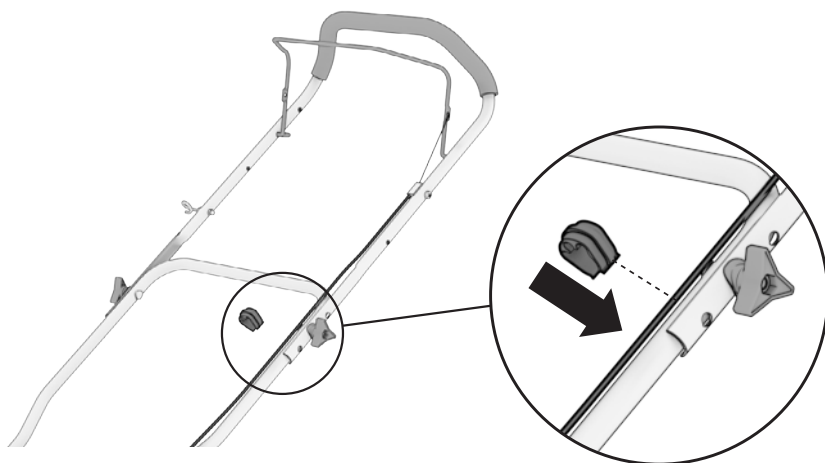
2. Turn the spring knob clockwise or counter clockwise and align the mounting holes of the bracket. Turn the knob back until the silver bolt goes through the bracket hole with the height position of your choice.



3. Unfold the upper handle and fix it to lower handle by using the big knobs and the bolts on each side.



4. Ensure power lever cable is resting above lower and upper handles as pictured.

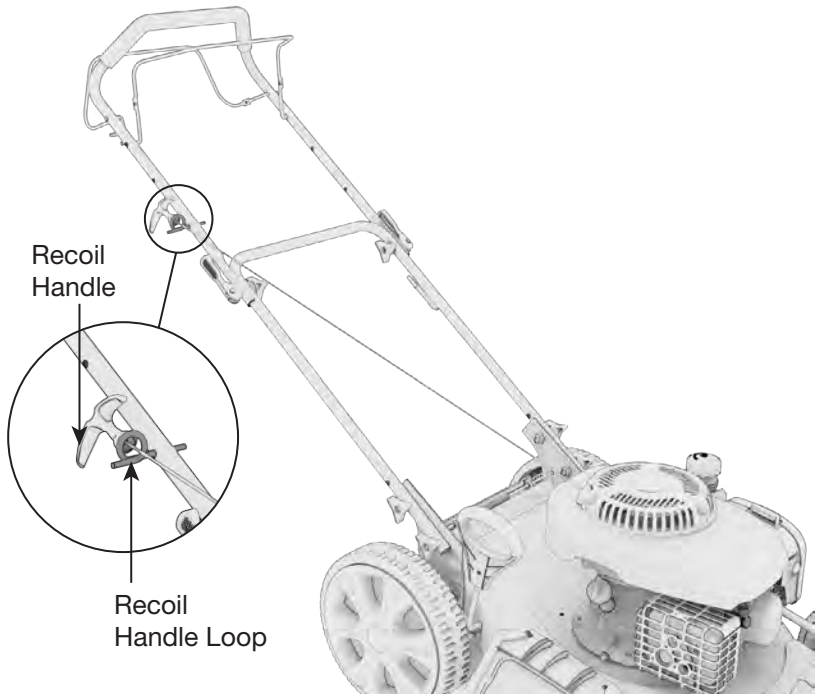


NOTE

- Make sure the rope guide is on the right handle, when you stand behind the mower.

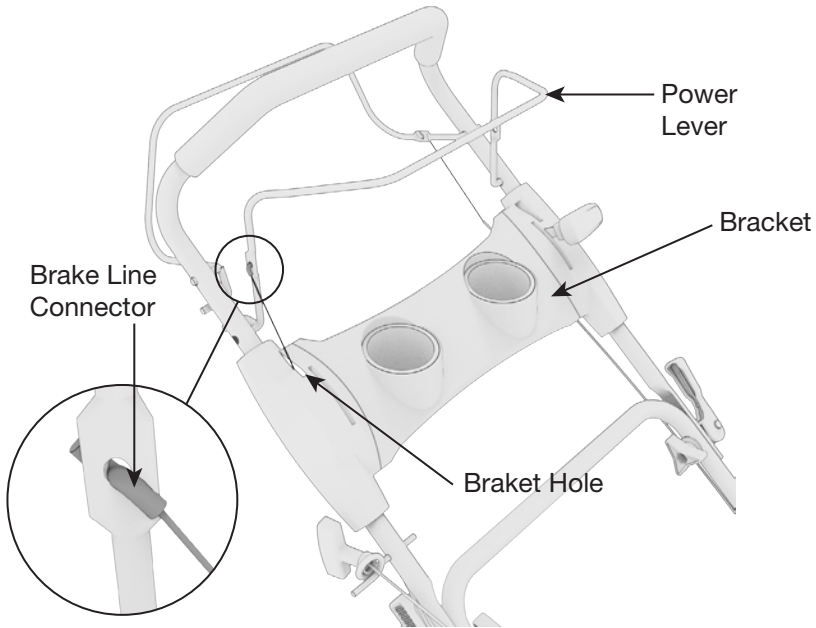
3.2 ASSEMBLING THE RECOIL HANDLE LOOP

(Optional) Fix the recoil handle connection cord with the recoil handle loop.

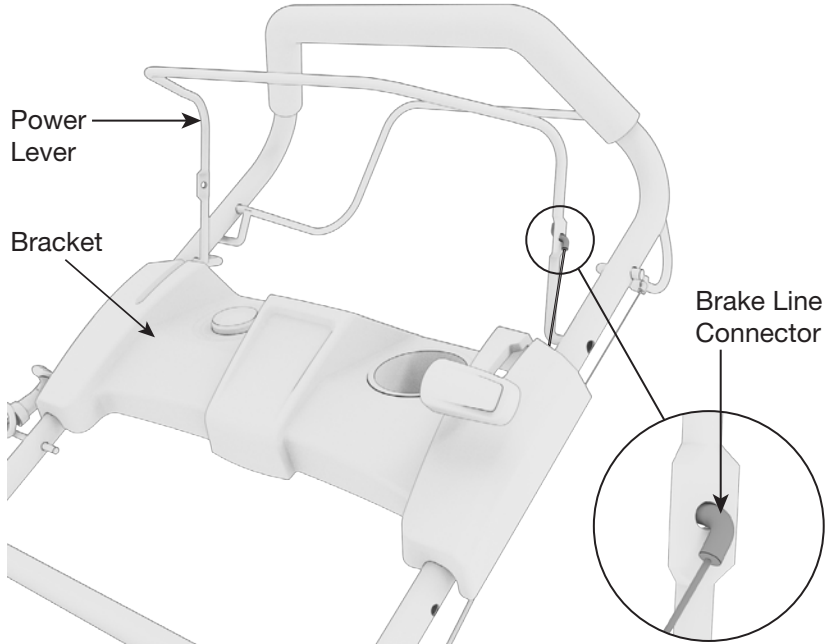


3.3 ASSEMBLING THE CUP BRACKET (BM1740, BLM2050 ONLY)

BM1740



BLM2050E



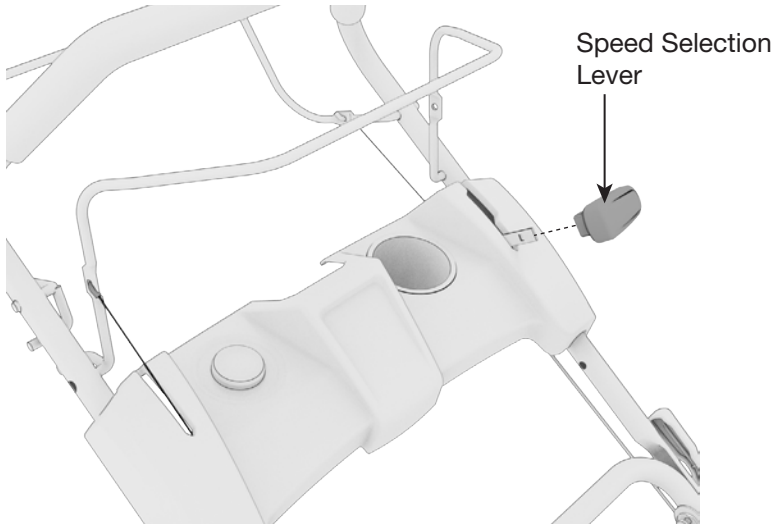
1. If already connected, remove the cable from the power lever.
2. Affix the cup bracket to the upper handle using the included screws.

3. Thread the cable through the hole in the cup bracket and connect to the power lever.

NOTE

- Only the power lever cable should go through the hole in the cup bracket.

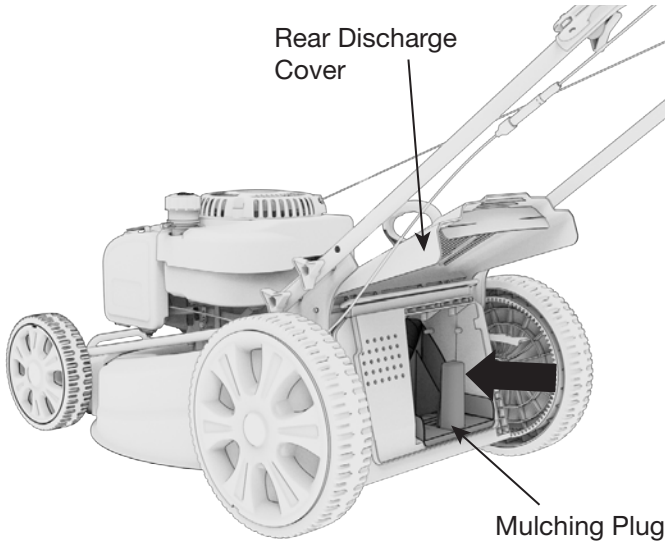
3.4 ASSEMBLING THE SPEED SELECTION HANDLE (BM1740, BLM2050 ONLY)



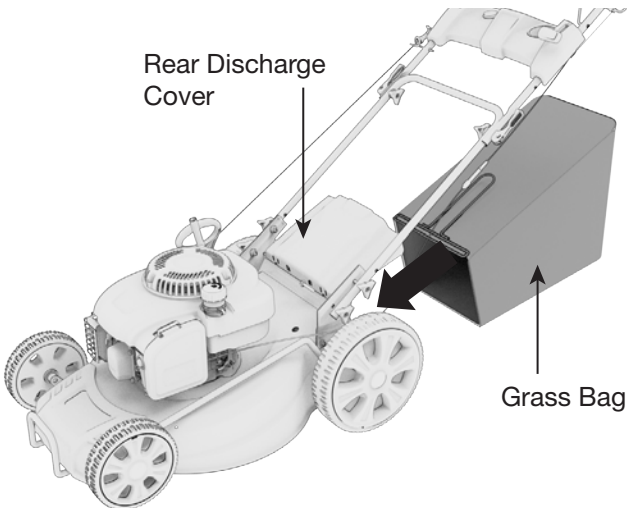
1. Put the handle onto the speed selection lever
2. Secure the handle with a screw.

3.5 REMOVE OR KEEP THE MULCHING PLUG

Keep the plug installed for mulching, or remove when choosing to side or rear discharge. If removed the plug can be stored for later use.



3.6 ASSEMBLING THE GRASS BAG

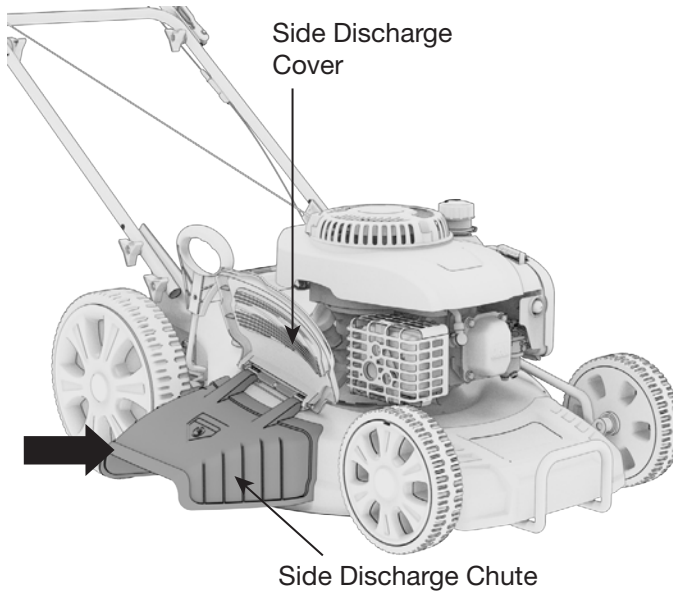


1. Clip the plastic clips of the grass bag over the metal frame and make sure they are fully secured to the metal frame.
2. Lift the rear discharge cover with one hand and hook the grass bag to the rear discharge chute. The connection may feel loose.
3. Release the rear discharge cover to secure the grass bag in position

3.7 ASSEMBLING THE SIDE DISCHARGE CHUTE

NOTE

- Remove the grass bag and assemble the mulching plug before using the side discharge function.

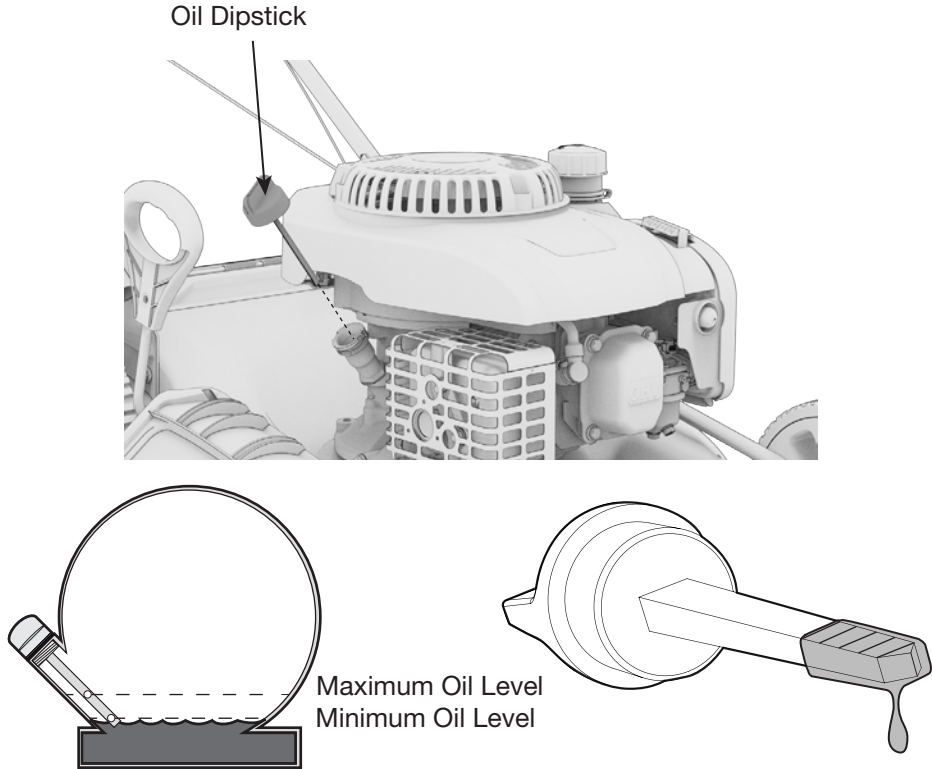


1. Lift the side discharge cover with one hand and hook in the side discharge chute with the other hand.
2. Release the side discharge cover to secure the chute in position.

3.8 ADD ENGINE OIL

⚠ WARNING!

Used motor oil can cause skin irritations if left in long-term contact with skin. Thoroughly wash off used oil as soon as possible with soap and water.

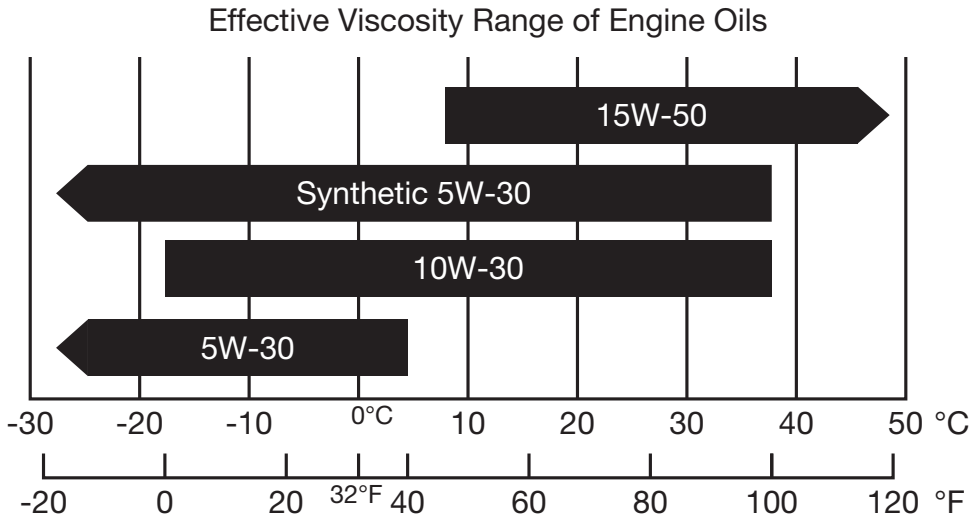


1. Ensure the lawn mower is on a level surface.
2. Unscrew and clean the dipstick.
3. Check the oil level by reinserting the oil dipstick *without* screwing it back in. Remove the dipstick and examine the oil level. If the level is at or below the minimum oil level marked on the dipstick, refill to the maximum oil level mark.
4. Reinsert the dipstick and tighten securely.

NOTE

- Oil max. capacity:
 - HH0403: 400 mL
 - BM1740: 400 mL
 - BLM2050E: 400 mL

- SAE10W-30 oil is recommended for general use.
- DO NOT OVERFILL.

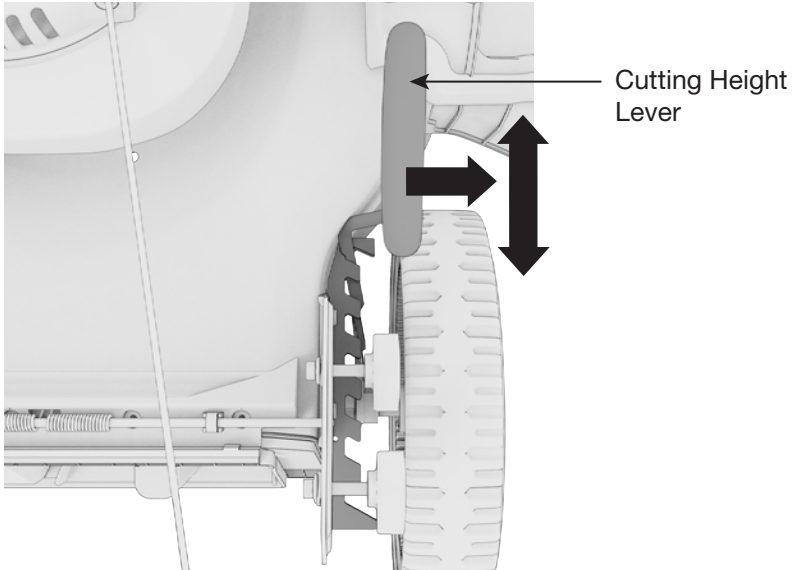


- DO NOT tilt the lawn mower when adding engine oil. This could result in overfilling and damage to the engine.
- Using non-detergent or 2-stroke oil could shorten the engine's working life.
- Use high quality engine oil with strong detergents.
- Handle and store the engine oil with care, avoid getting dirt or dust into the engine oil.
- DO NOT mix different engine oils.
- To avoid the inconvenience of unexpected engine shutoff, check the engine oil level as often as possible.
- Use 4-stroke engine oil, certified to meet or exceed API standard SG, SF, SAE ratings.

3.9 SETTING THE CUTTING HEIGHT

⚠ WARNING!

Adjust the cutting height only when the engine is switched off.



1. Pull the lever out and select the desired cutting height. The handle snaps into the desired position.

NOTE

- The cutting height ranges from 25mm to 75mm.

3.10 ELECTRIC START BATTERY (BLM2050E ONLY)

⚠ WARNING!

When using a new battery or a battery that was stored for a long time, charge the battery before using it.

DO NOT reverse polarity! Correctly connect the positive and negative polarity of the battery.

If there is abnormal noise, temperature or leakage, stop using the battery immediately. DO NOT separate, squeeze, hit, or modify the battery. The battery may overheat or catch fire. Contents of the battery are harmful to the skin and eyes, and will damage clothing. If the battery leaks, DO NOT touch the liquid, it will burn eyes and skin. If touched, immediately flush the injured area with a large amount of water and see a doctor. If the battery is hot, DO NOT touch until it has cooled down, let cool in a ventilated environment before recharging.

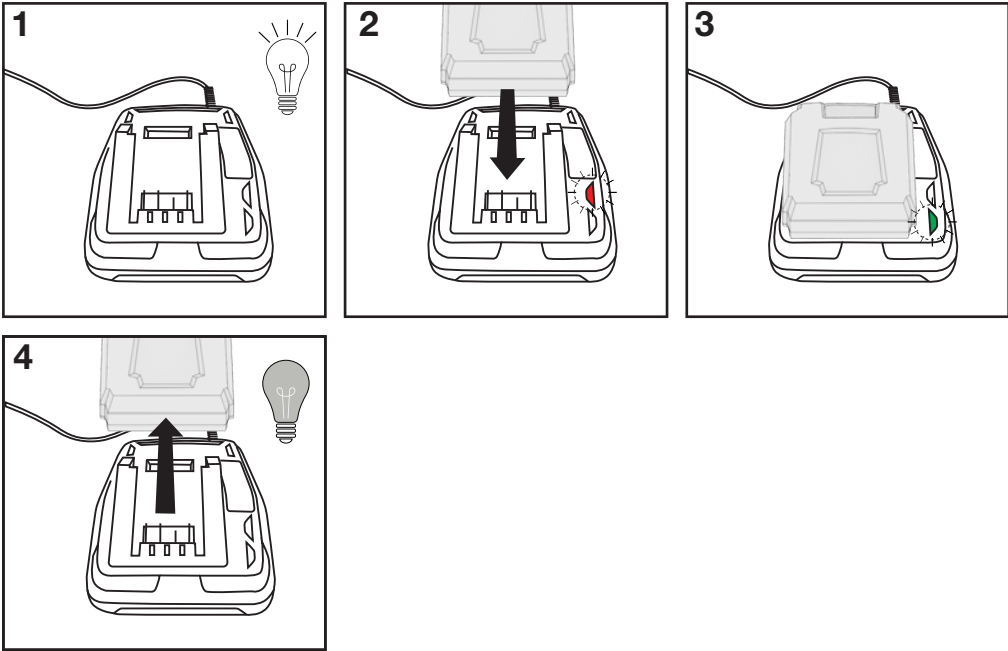
NOTE

- Your battery is delivered at 40% charge for safe shipping.
- The battery requires about 3 hours for a full charge.
- When the battery is not in use, remove it from the mower and store separately to maintain charge.
- Keep the battery clean and dry. If there is dirt on the surface of the battery, wipe it with a dry clean cloth.
- DO NOT store the battery in direct sunlight or other severe environments. Excessive heat will shorten service life, and may cause the battery to produce smoke or catch fire.
- DO NOT store on a metal shelf or in contact with other metal parts. If the terminals continuously contact metal the battery could overheat to a dangerous level.
- Charge the battery every three months to maintain a healthy charge. Best practice for a long service life is to store lithium-ion batteries between 40-80% charge.
- Always check if the battery is charged before using it.
- Lithium-ion battery specs: DC20V 2000mAh.

3.10.1 Charging the Battery

⚠ WARNING!

DO NOT cover the battery while charging, ensure area is well-ventilated. Covering can overheat the battery and cause damage, deformation, burns or other injuries.

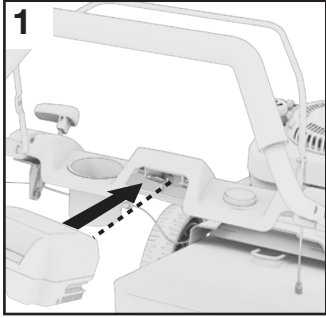


1. Plug the charger into the power socket.
2. Push the battery into the charger until it clicks, the red indicator light will illuminate to show the battery is charging.
3. When the battery is fully charged the green indicator light will illuminate.
4. When the battery is charged, remove the battery and unplug the charger from the wall.

NOTE

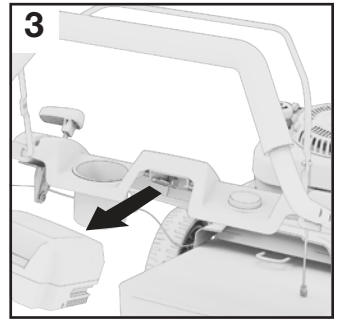
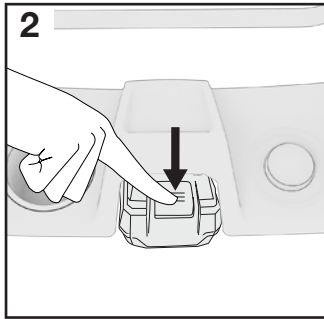
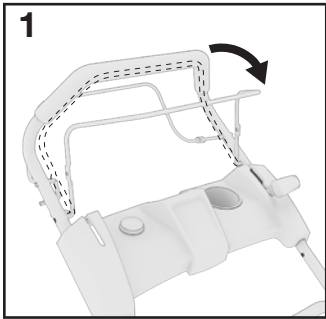
- Only BLM2050E has electric start battery and charger.
- Only use the supplied Lithium-ion charger.
- Ensure that the polarity is correct when charging, DO NOT attempt to charge the battery with reversed polarity.
- DO NOT store on the battery charger. Overcharging causes damage to the battery and creates a potential fire hazard.

3.10.2 Installing the Battery



1. Insert the battery until it clicks into place securely.

3.10.3 Removing the Battery



1. Ensure the handle has been released and the mower is completely stopped and cooled down.
2. Press the battery release button.
3. Slide the battery out.

4. PRE-OPERATION CHECK

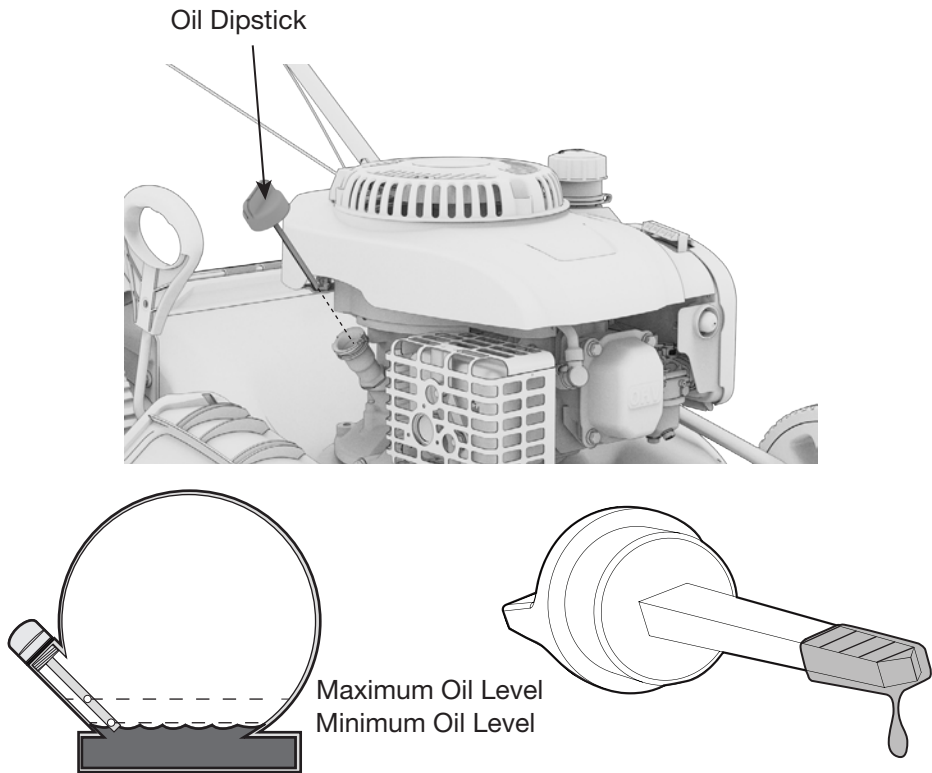
These quick checks should be done each time the lawn mower is started to ensure you get the most out of your lawn mower.

Set the lawn mower on a level surface and the power to OFF.

⚠ WARNING!

Exhaust gas contains poisonous carbon monoxide. NEVER run the lawn mower in an enclosed area. Be sure to provide adequate ventilation. Operate the lawn mower on a level surface. If the lawn mower is tilted, fuel spillage may result. Keep away from rotating parts while the lawn mower is running. The lawn mower is air-cooled and may be damaged if ventilation is inadequate.

4.1 CHECK OIL LEVEL



1. Ensure the lawn mower is on a level surface.
2. Unscrew and clean the dipstick.
3. Check the oil level by reinserting the oil dipstick *without* screwing it back in. Remove the dipstick and examine the oil level. If the level is at or below

the minimum oil level marked on the dipstick, refill to the maximum oil level mark.

4. Reinsert the dipstick and tighten securely.

NOTE

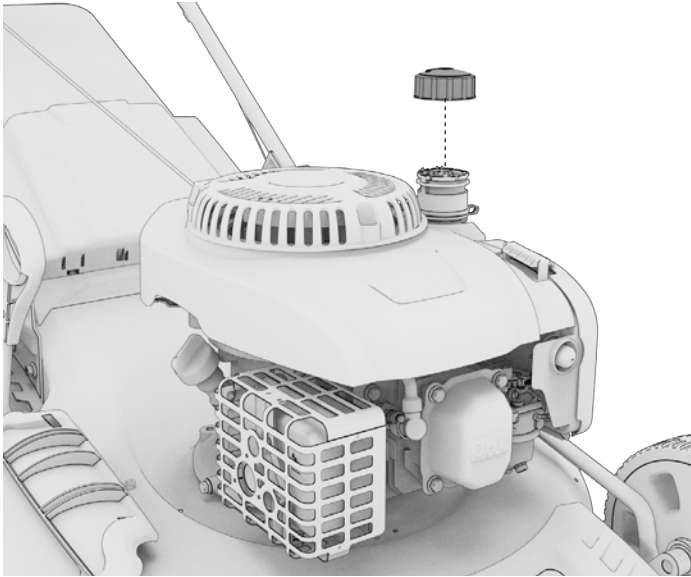
- Oil max. capacity:
 - HH0403: 400 mL
 - BM1740: 400 mL
 - BLM2050E: 400 mL
- SAE10W-30 oil is recommended for general use.
- DO NOT OVERFILL.

4.2 CHECK THE FUEL LEVEL

⚠ WARNING!

Gasoline is highly flammable and explosive under certain conditions. Refuel in a well-ventilated area with the engine stopped. DO NOT smoke or allow open flames or sparks in the area where the lawn mower is being refueled or where gasoline is stored. DO NOT overfill the tank. Be careful not to spill fuel when refueling. Wipe up any spilled gasoline and let the area dry before starting the engine.

Gasoline substitutes such as gasohol are not recommended. They may be harmful to the fuel system components.






1. Check the fuel level by removing the fuel tank cap to visually check the level.
2. Add fuel carefully. DO NOT fill into the base of the fuel neck.
3. Tighten the fuel cap securely after refilling.

NOTE

- Only use unleaded gasoline (Pump Octane 87 or higher).
- NEVER use stale or contaminated gasoline, or an oil/gasoline mixture.
- Avoid getting dirt or water into the fuel tank.
- DO NOT use a mixture of gasoline containing methanol. This will cause serious damage to the engine.
- Use of gasoline with an ethanol content greater than 10% can damage the engine and fuel system and will void the manufacturer's warranty.

5. STARTING THE ENGINE

⚠ DANGER	
Using an engine indoors CAN KILL YOU IN MINUTES . Engine exhaust contains carbon monoxide. This is a poison you cannot see or smell.	
 	
NEVER use inside a home or garage, EVEN IF doors and windows are open.	Only use OUTSIDE and far away from windows, doors, and vents.
Avoid other engine hazards. READ MANUAL BEFORE USE.	

⚠ DANGER! ⚠

Using a lawn mower indoors WILL KILL YOU IN MINUTES.

Engine exhaust contains high levels of carbon monoxide (CO), a poisonous gas you cannot see or smell. If you can smell the engine exhaust you are breathing CO. Even if you cannot smell the exhaust, you could be breathing CO.

NEVER use a lawn mower inside a home, garage, crawlspace, or other partly enclosed area, deadly levels of carbon monoxide can build up in these areas. Using a fan or opening windows and doors will **NOT** supply enough fresh air.

ONLY use a lawn mower outdoors and far away from open windows, doors, and vents. These openings can pull in lawn mower exhaust. Even when you use a lawn mower correctly, **CO** may leak into the home. **ALWAYS** use a **CO** alarm in your home.

If you start to feel sick, dizzy, or weak after the lawn mower has been running, move to fresh air RIGHT AWAY and seek medical attention. You could have carbon monoxide poisoning. NEVER run the lawn mower in an enclosed or even partially enclosed area where people may be present.

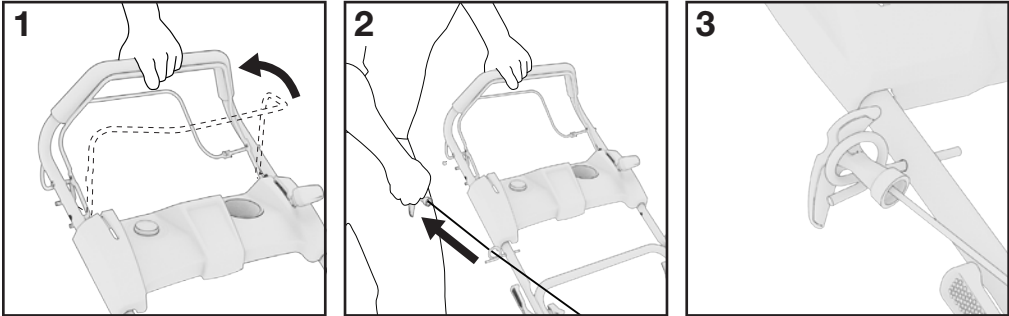
NOTE

- BM1740, BLM2050E and HH0403 DO NOT have a primer bulb included.

5.1 MANUAL RECOIL START

⚠ WARNING!

Ensure the lawn mower's blade is securely fastened before starting the engine. The blade will begin to rotate as soon as the engine is started.

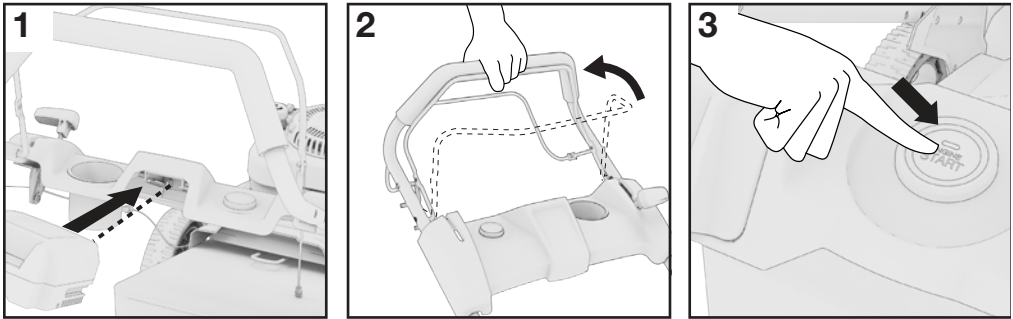


1. Stand behind the mower and pull the power lever toward the handle grip with one hand.
2. Place the other hand on the starter handle. Pull the starter handle until you feel a resistance and then start the engine with a sharp pull.
3. Slowly return the recoil handle into.

NOTE

- Return the recoil handle slowly by hand, DO NOT let it snap back.
- Before starting, ensure the spark plug cap is connected to the spark plug and the engine is filled with sufficient oil and gas.

5.2 ELECTRIC START (BLM2050E ONLY)



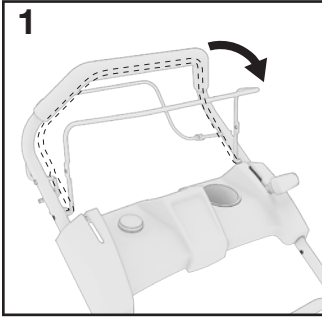
1. Insert fully charged battery.
2. Hold power lever against handle grip.
3. Hold the start button for up to 5 seconds until engine starts.

NOTE

- When using a new battery or a battery that was in storage, charge the battery before use.

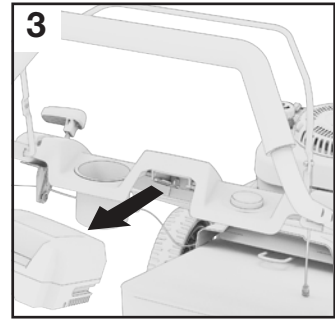
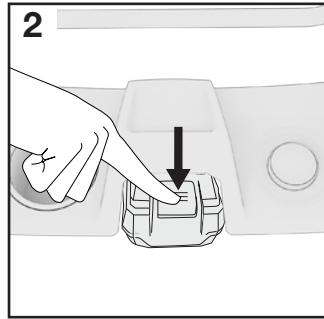
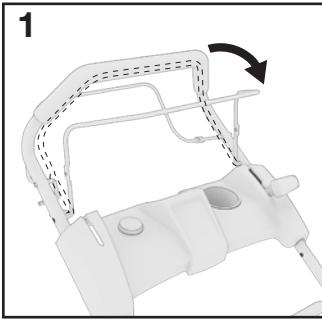
6. STOPPING THE ENGINE

BM1740, HH0403



1. Release the power lever. It will return to its initial position and the engine will automatically switch off.

BLM2050E



1. Release the power lever. It will return to its initial position and the engine will automatically switch off.
2. Remove the electric start battery by pressing the release button.
3. Slide out the battery and store the battery in a dry, well-ventilated area.

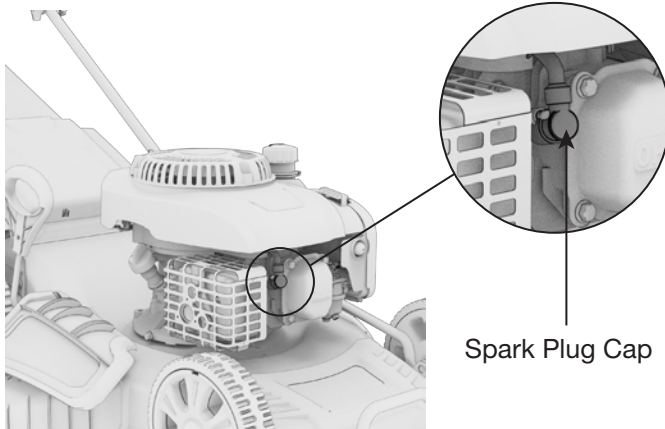
NOTE

- Battery may be hot, DO NOT touch the battery until it has cooled down.

7. USING YOUR LAWN MOWER

7.1. CLEAN FLOODED ENGINE

If the engine won't start after you have operated the start procedure several times, the engine may be flooded with excess fuel. Use following steps to clear and start a flooded engine.



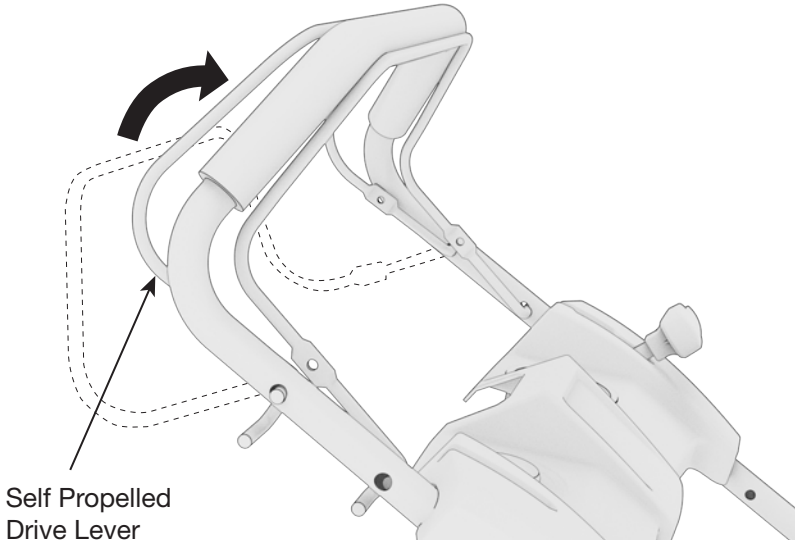
1. Release the power lever.
2. Remove the spark plug cap.
3. Remove the spark plug, dry it, and then reinstall it.
4. Operate the start procedure described on Section 5.

NOTE

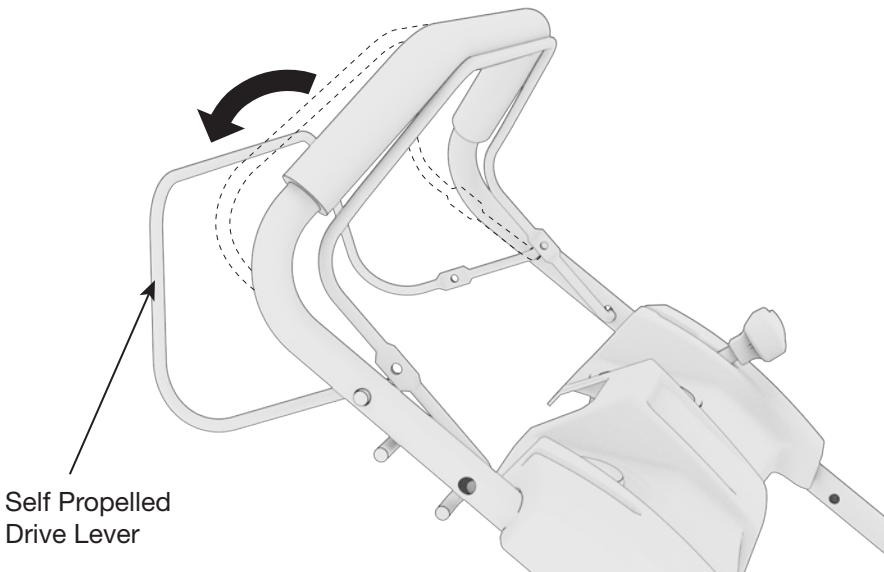
- Install the spark plug carefully by hand, to avoid cross-threading. After the plug is seated tighten 1/8 to 1/4 turn with socket spanner of spark plug to compress the washer. Release the power lever.

7.2. USING THE SELF-PROPELLED FUNCTION (BM1740, BLM2050E ONLY)

The BM1740 and BLM2050E are equipped with self-propelled system. When you engage the self propelled drive lever while the engine is running, the lawn mower will begin to drive forwards.

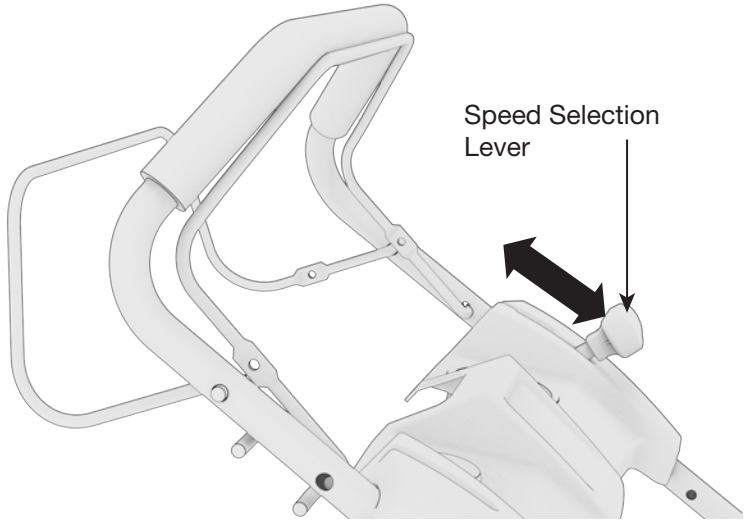


To stop moving the lawn mower, just simply release the self propelled drive lever.



Speed Adjust

Once engine is running, select drive speed 1, 2 or 3, to adjust the different propelled speed.



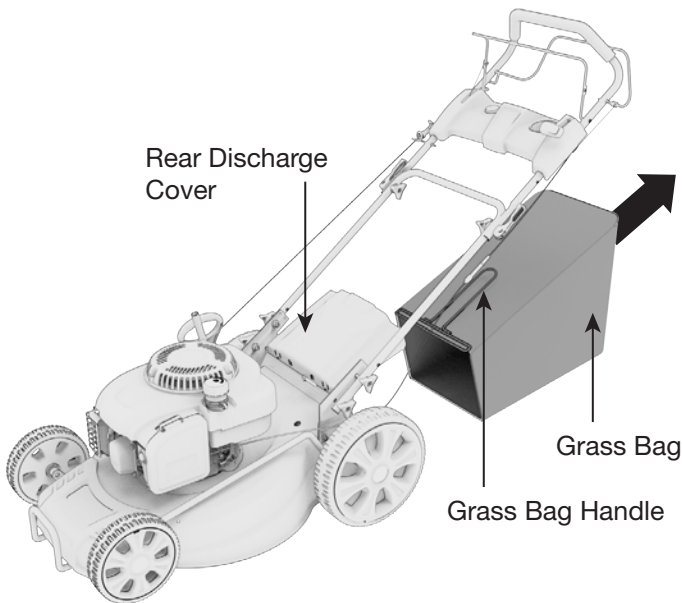
7.3 EMPTYING THE GRASS BAG

⚠ WARNING!

Before taking off the grass bag, turn off the engine and wait until the blade has come to a stop.

If any grass residue is caught in the discharge chute, clean it using a brush. DO NOT remove grass debris in the mower casing or on the blade by hand or with your feet. Instead use suitable tools such as a brush or broom. To ensure that the cut grass can be collected into grass bag, the discharge opening and inside the mower casing must be cleared of any blockage.

As soon as grass clippings start to trail the lawn mower, it is time to empty the grass bag.



1. Use one hand to lift up rear discharge cover and the other to grab onto the grass bag handle to take off the grass bag. The rear discharge cover automatically falls down after removing the grass bag and closes off the rear chute opening.
2. Empty the grass debris in the grass bag, and reinstall the grass bag.

7.4 VERTICAL STORAGE

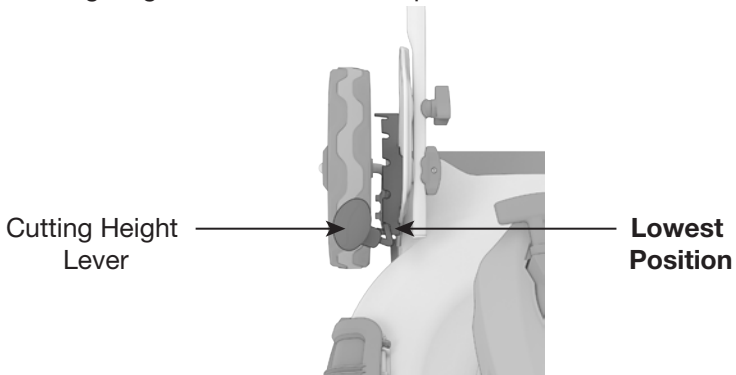
⚠ WARNING!

Be very careful when folding any part of handle to not pull or pinch the control cables or wires.

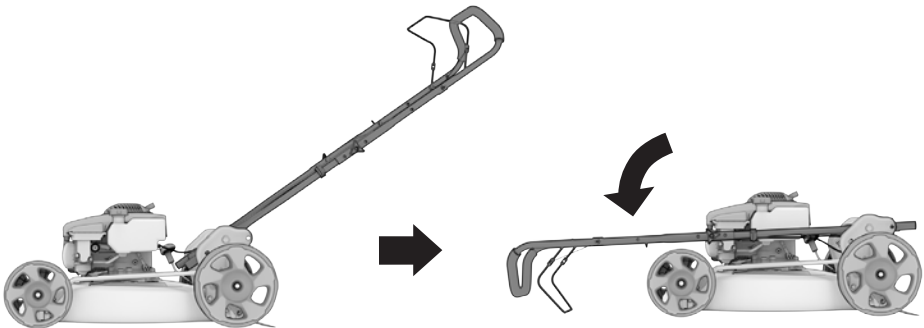
1. Ensure the power lever is released and the blades have stopped spinning.



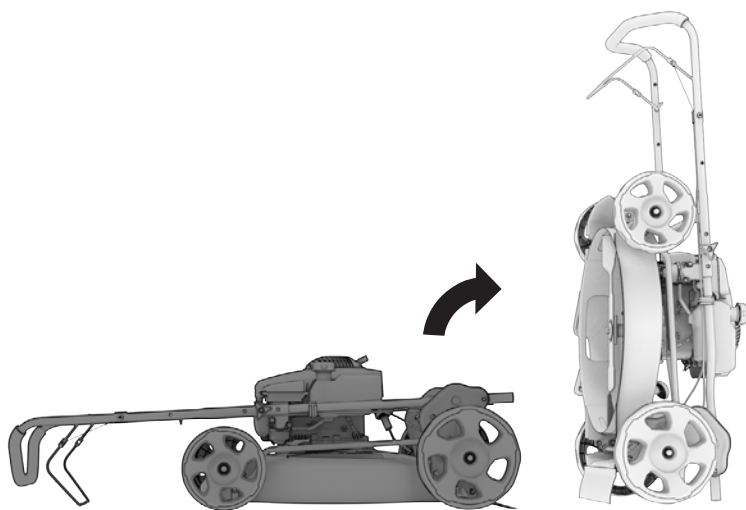
2. Set cutting height lever to the lowest position.



3. Release handle from upright position, fold down. Lock into vertical storage position.



4. Tilt lawn mower upright.



NOTE

- Read Transportation & Storage chapter if storing for over one month's time.

7.5 MOWING TIPS

NOTE

- Keep a firm grip on the upper handle with power lever and self propelled drive lever closed and walk along with it self-propelling to start mowing.
- Walk, NEVER run with the mower, be very careful when mowing uneven or rough ground.
- Mow across slopes, NEVER up and down.
- Be careful when changing the direction of the mower on a slope.
- DO NOT mow excessively steep slopes.
- The best result will be achieved if the grass is dry. Wet grass will tend to clog the blade and the grass collection system.
- Grass grows at different rates at different time of the year. NEVER use the lowest cutting height for the first cut of the season or in drought conditions.
- Only about one thirds of the grass height should be cut.
- When mowing with mulching, to ensure that the cut grass can be scattered efficiently, DO NOT cut high or wet grass. When you have been cutting for several minutes, please stop the mower, and clean the blade and the deck.
- DO NOT remove grass debris in the mower casing or on the blade by hand or with your feet. Instead use suitable tools such as a brush or broom.

8. MAINTENANCE

Proper maintenance keeps your lawn mower in the best operating condition by ensuring safe, economical and trouble-free operation. Only use genuine parts and recommended fluids to replace the worn components. Improper maintenance may cause the lawn mower to malfunction and can lead to serious injury. Contact customer support if you have any maintenance questions.

General Inspection Tips

- Look for fuel leaks around the fuel tank and repair leaks immediately.
- Look and listen for exhaust leaks while the engine is running. Have all the leaks repaired before continuing operation.
- Check for dirt and debris and clean as necessary.
- Check the engine oil level and add oil as necessary.
- Always clean your lawn mower immediately after use.
- DO NOT allow grass cuttings and other debris to become dry and hard on any of the mower surfaces. Dried grass remnants and dirt may impair the mowing operation.
- Check that the grass chute is free of any residual grass.
- Tilt the lawn mower onto its left side (opposite the oil filler neck) to check the underside of the lawn mower and the blade mount.

8.1 MAINTENANCE SCHEDULE

Maintain the lawn mower according to the maintenance schedule in this section.

NOTE

- Service more frequently when used in dusty areas.
- These items should be serviced by an authorized service center, unless you have the proper tools and are mechanically proficient. Refer to manual for service procedures.

Before Each Use
General inspection Check engine oil level Inspect air filter
First 5 Hours
Change engine oil
Every 12 Hours
Check engine oil level Check and clean air filter ¹ Inspect/clean spark plug
Every 36 Hours
Check engine oil level Replace spark plug Replace air filter Inspect/replace blades ³
Every 300 Hours
Clean combustion chamber ³ Inspect/adjust valve clearance ³ Clean fuel tank and strainer Inspect/replace blades ³

¹ Replace if it cannot be adequately cleaned.

² Change oil after every 100 hours or yearly, whichever comes first. Service more frequently when operating under heavy load or in high temperatures.

³ Recommend service to be performed by authorized service dealer.

8.2 CHANGING THE ENGINE OIL

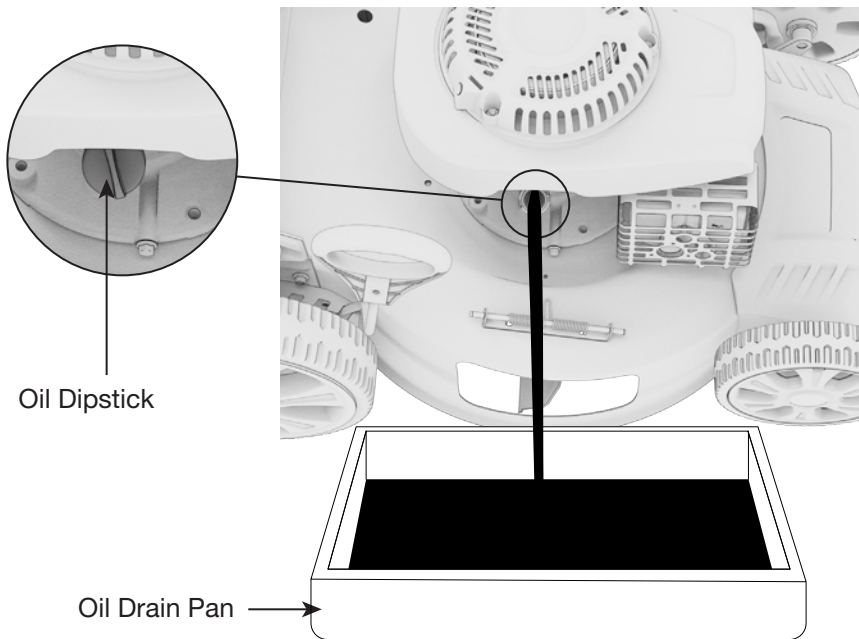
⚠ WARNING!

Used motor oil can cause skin irritations if left in long-term contact with skin. Thoroughly wash off used oil as soon as possible with soap and water.

DO NOT dispose of used oil in drains or on soil. Local service shops provide environmentally-friendly disposal methods.

Fully drain the fuel tank using a gasoline extraction pump before placing the lawn mower on its side.

Drain the oil rapidly and completely on a level surface while the engine is still warm.

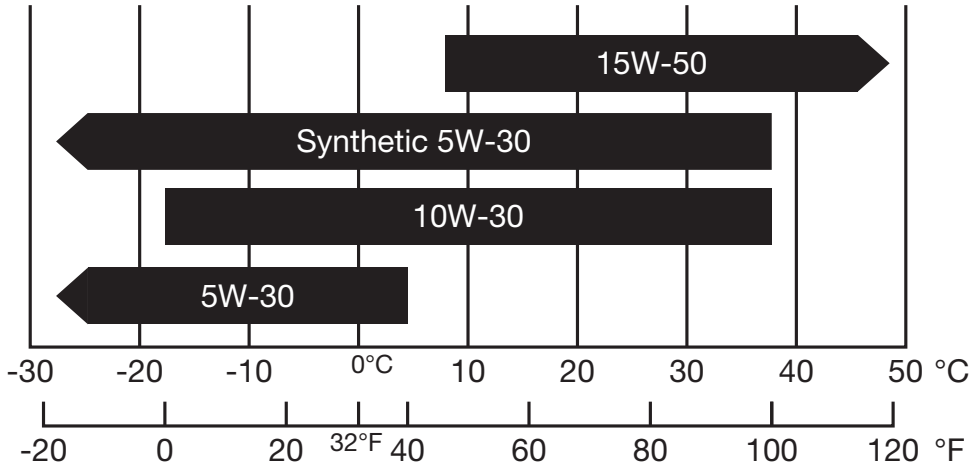


1. Tilt the lawn mower towards the oil drain pan, have a container ready to catch the oil and remove the dipstick.
2. Once the oil has been emptied, return the lawn mower to a level position and wipe clean any spillages.
3. Fill the engine with fresh oil (SAE 10W-30 4 Cycle Engine Oil) up to the maximum mark on the dipstick *without* threading it back in. DO NOT overfill oil reservoir. Use a funnel to prevent spillage.
4. Reinstall the oil dipstick and tighten.

NOTE

- Oil max. capacity:
 - HH0403: 400 mL
 - BM1740: 400 mL
 - BLM2050E: 400 mL
- SAE10W-30 oil is recommended for general use.
- DO NOT OVERFILL.

Effective Viscosity Range of Engine Oils



- DO NOT tilt the lawn mower when adding engine oil. This could result in overfilling and damage to the engine.
- Using non-detergent or 2-stroke oil could shorten the engine's working life.
- Use high quality engine oil with strong detergents.
- Handle and store the engine oil with care, avoid getting dirt or dust into the engine oil.
- DO NOT mix different engine oils.
- To avoid the inconvenience of unexpected engine shutoff, check the engine oil level as often as possible.
- Use 4-stroke engine oil, certified to meet or exceed API standard SG, SF, SAE ratings.

8.3 CLEANING THE AIR-FILTER

⚠ WARNING!

Using gasoline or other flammable solvents can cause fire or explosion. DO NOT operate this product without an air filter.

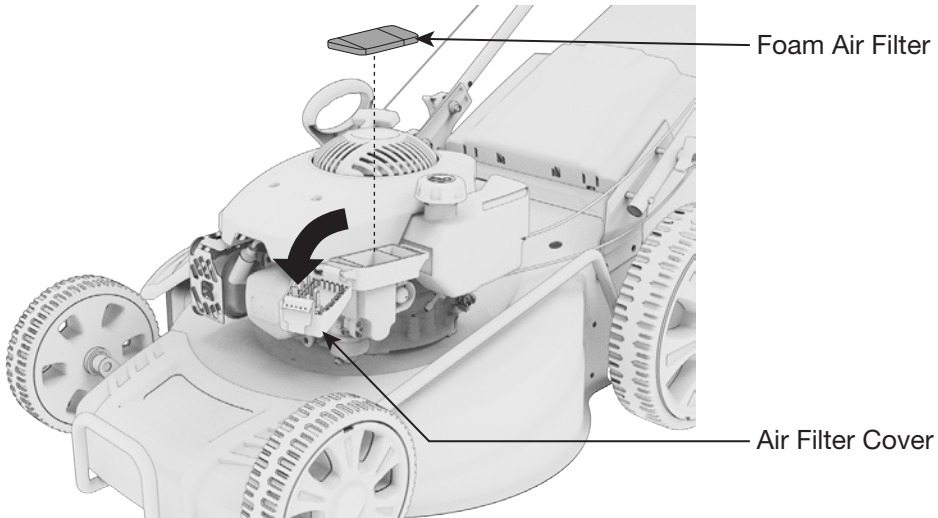
DO NOT use pressurized air or solvents to clean the filter. Pressurized air can damage the filter and solvents will dissolve the filter.

A dirty air filter will restrict air flow into the carburetor. Clean and maintain the air filter regularly, especially in dusty areas.

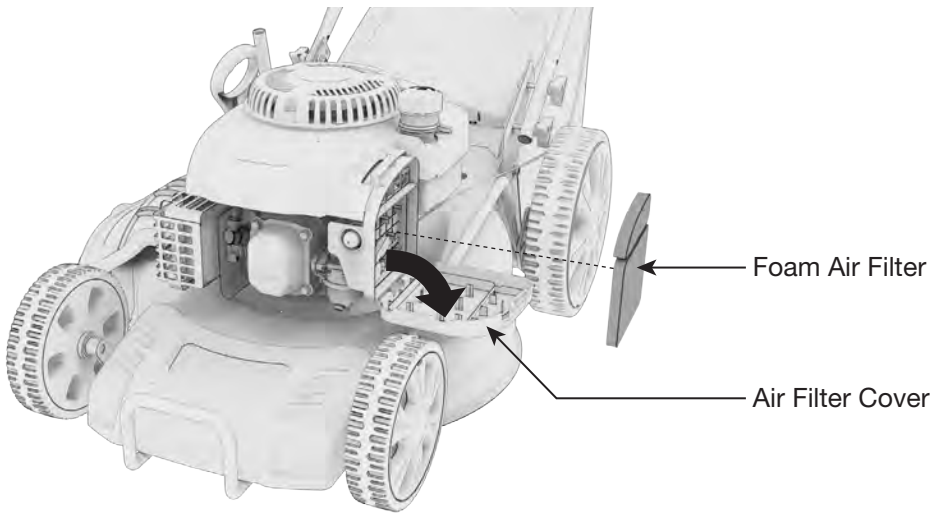
NOTE

- NEVER run the lawn mower without an air filter, doing so will quickly degrade the engine.

BM1740, HH0403



BLM2050E



1. Loosen the nut and remove the air filter cover. Remove the air filter housing and elements and inspect for cleanliness.
2. Clean the *foam* air filter with soap and water and let dry.
3. Soak the *foam* filter in clean engine oil.
4. Gently squeeze and then pat out all excess oil and reinstall.
5. Replace filter if it is damaged.

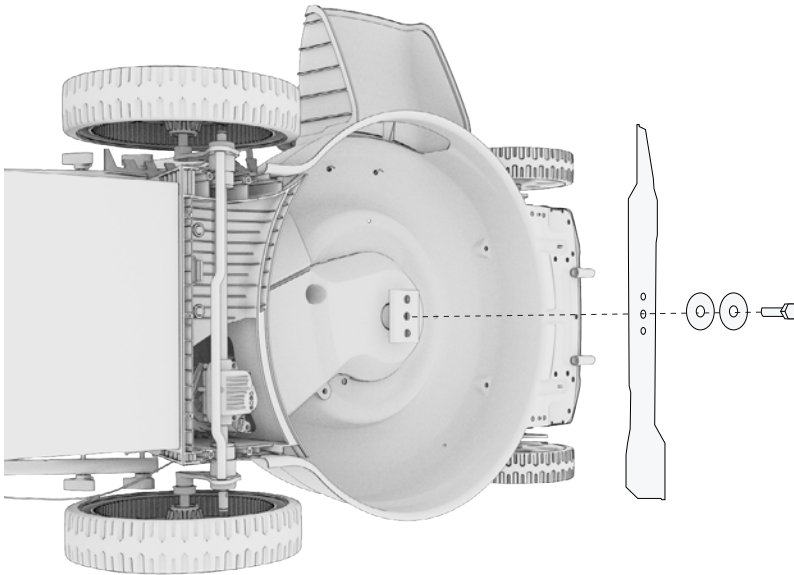
8.4 REPLACING THE BLADE

⚠ WARNING!

Used motor oil can cause skin irritations if left in long-term contact with skin. Thoroughly wash off used oil as soon as possible with soap and water.

Always use gloves and handle the blade with care, sharp edges could cause injury. DO NOT hold the blade by hand directly. If the blade has worn excessively and become pitted and blunt, it should be replaced or sharpened. The sharpness of the blade will affect the performance of the lawn mower. Replace any cracked or damaged blade immediately.

For safety reasons we recommend that the blade only be changed by someone qualified and authorized.



1. Stop the engine and wait until the blade stops completely.
2. Hold the blade and unscrew the blade bolt counterclockwise using a spanner wrench (not included).
3. Remove the washer and the blade.
4. Fit a new blade or re-sharpen the blade, locate the blade on the two studs on the blade flange and then replace the washer and bolts.
5. Make sure the blade is correctly located, and then firmly tighten the bolt. DO NOT over tighten. The up turn of the blade must project into the motor compartment.

8.5 SPARK PLUG SERVICE

NOTE

- DO NOT rinse spark plug in water. Follow guidelines and be careful not to overtighten the spark plug.

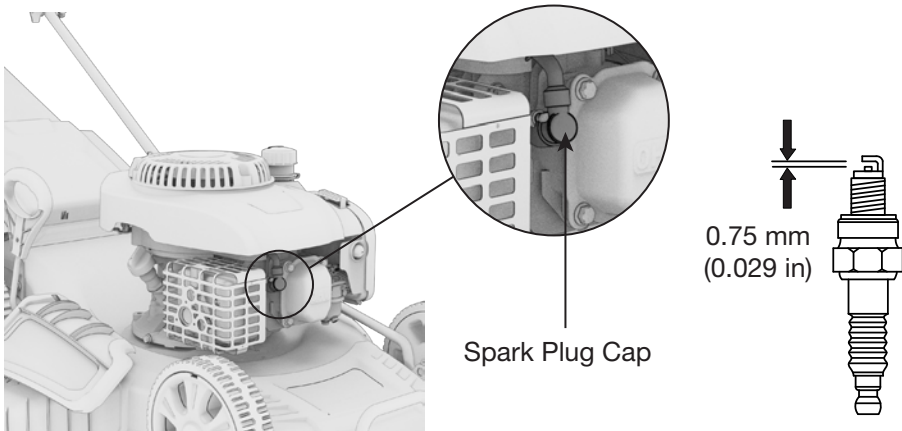
Recommended spark plug:

- HH0403: F6TC
- BM1740: F6TC
- BLM2050E: F7TC

Check the spark plug gap and clean the carbon deposits at the bottom of the spark plug.

Tighten 1/2 turn when installing a new spark plug.

Tighten 1/8 TO 1/4 turn when re-installing an old spark plug.

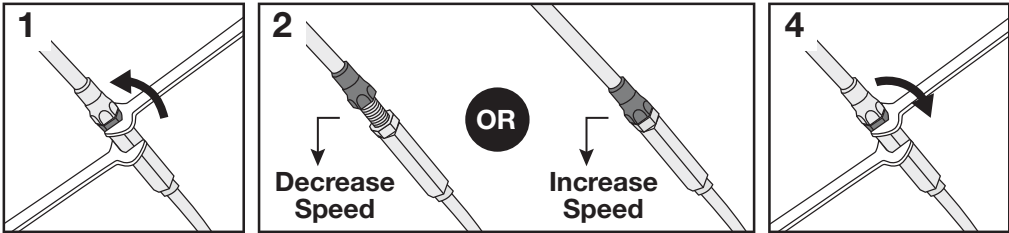


1. Remove the spark plug cap.
2. Remove the spark plug with the spark plug wrench.
3. Visually inspect the spark plug. Replace with a new plug if the insulation is cracked or chipped. Clean with a wire brush if the spark plug is reused.
4. Measure the spark plug gap with a feeler gauge. The normal value is: 0.75 mm (0.029 in). Adjust the gap by carefully bending the electrode.
5. Carefully reinstall the spark plug by hand, to avoid cross-threading. A new spark plug should be tightened 1/2 turn with a spanner. A used spark plug should be tightened 1/8 to 1/4 turn with spanner.
6. Reinstall the spark plug cap.

NOTE

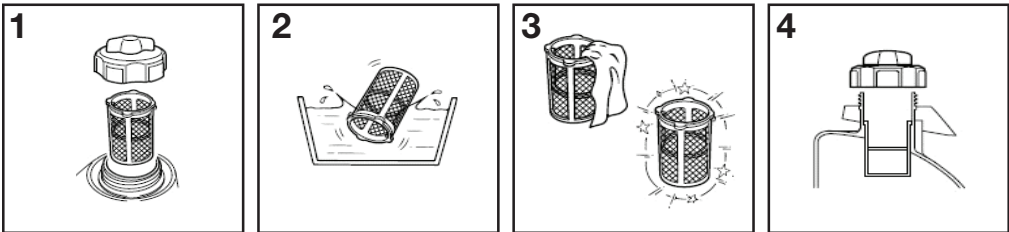
- The spark plug must be securely tightened or it could cause the spark plug to heat up, enough to damage the engine.
- NEVER use a spark plug with an improper heat range.

8.6 SPEED CABLE ADJUSTMENT



1. Loosen the center nut.
2. To decrease speed, unscrew the bolt to lengthen the cable. To increase speed, screw bolt back into the nut to shorten the cable. This will only be possible if speed has been decreased before.
3. Tighten the central nut to secure the length of the adjustment bolt.

8.7 FUEL FILTER MAINTENANCE



1. Remove the fuel cap and filter.
2. Clean the filter with solvent.
3. Wipe the filter.
4. Reinsert the filter.

8.8 EMISSION CONTROL SYSTEM

Emission Source

Exhaust gas contains carbon monoxide, nitrogen oxides (NO_x) and hydrocarbons. It is very important to control the emissions of NO_x and hydrocarbons as they are a major contributor to air pollution. Carbon monoxide is a poisonous gas. The emission of fuel vapors is a source of pollution as well. The lawn mower engine utilizes a precise air-fuel ratio and emission control system to reduce the emissions of carbon monoxide, NO_x, hydrocarbons and evaporative fuel emissions.

Regulation

Your engine has been designed to meet current Environmental Protection Agency (EPA) clean air standards. The regulations dictate that the manufacturer provides operation and maintenance standards regarding the emission control systems. Tune up specifications are provided in the Specifications section and a description of the emission control system may be found in the appendix to this manual. Adherence to the following instruction will ensure your engine meets the emission control standards.

Modification

Modification of the emission control system may lead to increased emissions. Modification is defined as the following:

- Disassembling or modifying the function or parts of the intake, fuel or exhaust system.
- Modifying or destroying the speed governing function of the lawn mower.

Engine faults that may affect emission

Any of the following faults must be repaired immediately. Consult with your authorized service centre for diagnosis and repair:

- Hard starting or shut down after starting.
- Unstable idle speed.
- Shut down or backfire after applying an electrical load.
- Backfire or after fire.
- Black smoke and/or excessive fuel consumption.

Replacement parts and accessories

The parts making up the emission control system in your product's engine have

been specifically approved and certified by the regulatory agencies. You can trust that the replacement parts supplied by customer service have been manufactured to the same production standard as the original parts. The use of replacement parts or accessories which are not designed for your engine – may negatively affect the engine emission performance. Therefore only use replacements parts and accessories from a qualified service centre to guarantee that the replacement products will not adversely affect emission performance. Replacement parts other than those from an authorized service centre will void the warranty.

8.9 CARBURETOR MODIFICATION FOR HIGH ALTITUDE OPERATION (ABOVE 2,000 FEET)

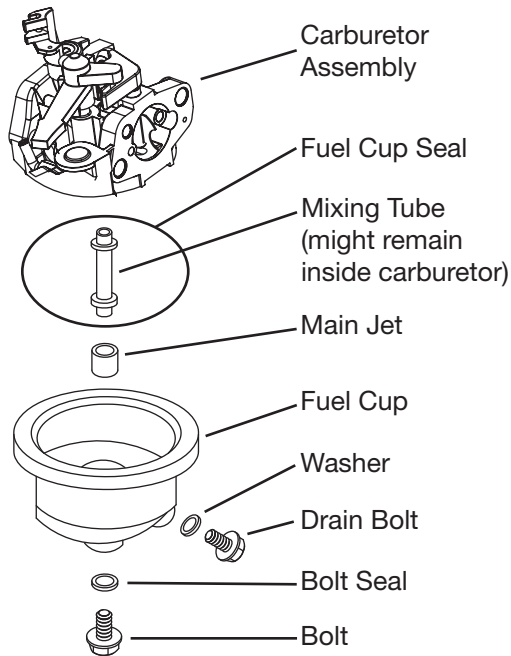
NOTE

- This engine is equipped to run at altitudes below 2,000-ft.
- A high-altitude Main Jet is recommended when operated at 2,000 to 7,000-ft above sea level.
- At elevations above 7,000-ft the engine may experience decreased performance even with a high-altitude Main Jet.

At high altitudes the carburetor's air/fuel mixture becomes too rich, resulting in higher fuel consumption, lower performance, and carbon build-up on the spark plug. On the other hand, if the carburetor has been modified for high altitude operation and is operated below 2000-ft, the air/fuel mixture will then be too lean for low altitude use. Always use the correct Main Jet for your altitude.

The engine's carburetor, governor (if so equipped), and any other parts that control the air/fuel ratio will need to be adjusted by a qualified mechanic to allow efficient high-altitude use, and to prevent damage to the engine and any other devices used with this product. The fuel system on this engine may be influenced by operation at higher altitudes.

- Carburetor bowl may have gas in it which will leak upon removing the bolt.
- The mixing tube is held in place by the Main Jet and might fall out when it is removed. If it falls out, replace it in the same orientation before replacing the Main Jet.
- The Fuel Cup Seal and Bolt Seal may be damaged during removal and should be replaced with the new ones.



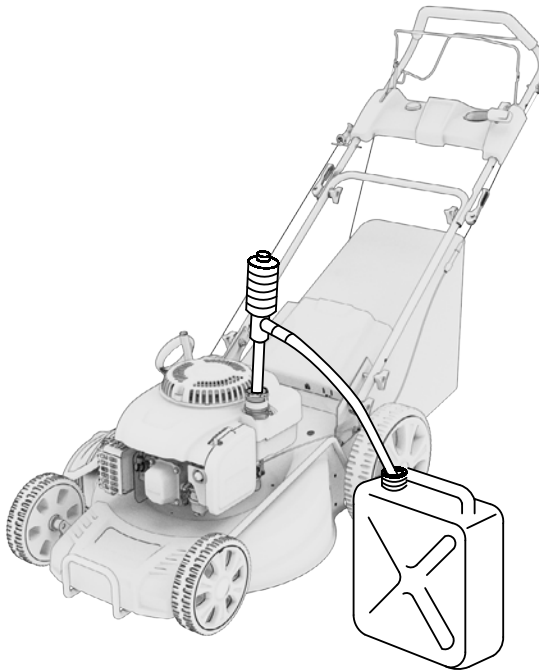
1. Turn off the engine.
2. Close the fuel valve.
3. Place a bowl under the fuel cup to catch any spilled fuel.
4. Unthread the bolt holding the fuel cup.
5. Remove the bolt, Bolt Seal, fuel cup, Fuel Cup Seal and Main Jet from the body of the carburetor assembly. A carburetor screwdriver (not included) is needed to remove and install the Main Jet.
6. Replace the Main Jet with the replacement Main Jet needed for your altitude range.
7. Replace the Fuel Cup Seal, fuel cup, Bolt Seal, and bolt. Tighten in place. DO NOT cross thread bolt when tightening. Finger tighten first and then use a wrench to make sure the bolt is properly threaded.
8. Wipe up any spilled fuel and allow excess to evaporate before starting engine. To prevent FIRE, DO NOT start the engine while the smell of fuel hangs in the air.

9. TRANSPORTATION & STORAGE

Transporting the Lawn Mower

- DO NOT use the lawn mower in the vehicle. The mower should ONLY be used while in a well ventilated area.
- Avoid exposing the lawn mower to prolonged direct sunlight while in an enclosed vehicle. The high temperature inside the vehicle could cause fuel to vaporize resulting in a possible explosion.
- Drain the lawn mower of fuel and oil before being transported on rough roads.
- Empty the gasoline tank
- Remove the spark plug cap from the spark plug.
- Clean the lawn mower from debris.
- Use the original packaging to ship whenever possible.

Draining the Fuel Tank



1. Turn OFF the engine. Remove the fuel cap.
2. Empty the fuel tank using a siphon and an approved gasoline container.
3. Loosen the carburetor drain bolt to discharge all gasoline from inside of the carburetor.

Storage

Gasoline can oxidize in as little as 30 days, causing gum and varnish to build up in fuel system components.

NOTE

- Ensure that the storage area is free of excess humidity and dust.
- Drain the fuel tank and the carburetor.
- Clean the lawn mower from debris.

Storage Duration	Preparation Required
Less than 1 Month	<ul style="list-style-type: none">■ No storage preparation required, simply store as is.
1 Month to 1 Year	<ul style="list-style-type: none">■ Drain the old gas and completely fill the tank with fresh gas before storage. Add fuel stabilizer according to the manufacturer's directions. Adding a quality fuel stabilizer can keep gas fresh for up to a year.■ Remove the battery and charge it every 3 months.
1 Year or More	<ul style="list-style-type: none">■ Drain off the gasoline from the fuel tank, and store in a suitable container. This will help prevent deposits from forming in the fuel system.■ Turn the fuel switch to OPEN and loosen the carburetor drain bolt. Take off the spark plug cap and revolve the engine 3 or 4 times, by pulling the recoil handle, to fully discharge the gasoline from the fuel lines.■ Change oil while engine is still warm from operation.■ Remove the spark plug, and pour a tablespoon of clean engine oil (10~20ml) into the cylinder. Revolve the engine several times by pulling on the recoil start to distribute the oil. Reinstall the spark plug. Pull the starter grip slowly until you feel resistance. At this point, the piston is coming up on its compression stroke and both the intake and exhaust valves are closed. This position helps to protect the engine from internal corrosion.

10. TROUBLESHOOTING

Problem	Look for	Solution
Loud while running, machine vibrates heavily.	Screws are loose	Check screws.
	Blade fasteners are loose.	Check blade fasteners.
	Blade is unbalanced.	Replace blade.
	Poor connection of battery circuit.	Check and clean the wiring connection.
Engine does not start.	Start/stop lever not pressed.	Press start/stop lever.
	Spark plug is defective.	Replace spark plug.
	Is the cutting blade worn or damaged?	Contact an authorized dealer to replace it.
	Fuel tank is empty.	Refill with fuel.
	Engine may be flooded.	Remove plug and dry.
Engine runs unsteadily.	Air filter is soiled.	Clean the air filter.
	Spark plug is soiled.	Clean the spark plug.
Uneven mowing results.	Blade is blunt.	Sharpen the blade.
	Cutting height is too low.	Set correct height.
Grass bag is not filled sufficiently.	Blade is worn.	Replace the blade.
	Grass bag is clogged.	Empty the grass bag.
	Is the cutting height right?	Correct the cutting height.
	Is the lawn/grass wet?	Allow the lawn to dry.
	Is the discharge channel/housing blocked?	Clean the discharge channel/housing.
	Is the underside of the mower deck clogged?	Clean the underside of the mower deck.

11. TECHNICAL SPECIFICATIONS

	SPECIFICATIONS	HH0403	BM1740	BLM2050E
LAWN MOWER	HH Number	5124-044	5124-042	5124-041
	Functions	Bag/Mulch/Side	Bag/Mulch/Side	Bag/Mulch/Side
	Deck Width	22 in	22 in	22 in
	Cutting Width	21 in	21 in	21 in
	Min.Cutting Height	1 in (25 mm)	1 in (25 mm)	1 in (25 mm)
	Max.Cutting Height	3 in (75 mm)	3 in (75 mm)	3 in (75 mm)
	Handle Height Adjust	3-position	3-position	3-position
	Deck Height Adjust	Single-lever, 8-position	Single-lever, 8-position	Single-lever, 8-position
	Blade	Straight	Straight	Straight
	Number of Blades	1	1	1
	Grass catcher	Fabric Bag	Fabric Bag	Fabric Bag
	Front / Rear wheel	8/12 in	8/12 in	8/12 in
ENGINE	Type	3.8 HP, Single Cylinder, forced air cooling, 4-stroke, OHV	3.8 HP, Single Cylinder, forced air cooling, 4-stroke, OHV	5.2 HP, Single Cylinder, forced air cooling, 4-stroke, OHV
	Displacement (cm ³)	173cc	173cc	200cc
	RPM	2800	2800	2800
	Oil capacity	400 mL / 14 oz. (10W30)	400 mL / 14 oz. (10W30)	400 mL / 14 oz. (10W30)
	Fuel tank capacity	1 L / 0.3 Gal	1 L / 0.3 Gal	1.2 L / 0.3 Gal
	Fuel Type	Unleaded gasoline 87+ Octane	Unleaded gasoline 87+ Octane	Unleaded gasoline 87+ Octane
UNIT	L x W x H	62 x 28 x 42.5 in	62 x 28 x 42.5 in	62 x 28 x 42.5 in
	Gross Weight	70.4 lbs / 32 kg	72.6 lbs / 33 kg	81.4 lbs / 37 kg

12. LIMITED WARRANTY

This product is distributed by:

Midland Power Inc.

376 Magnetic Drive, Toronto, ON M3J 2C4, Canada

Warranty

Beginning at the time of retail purchase and for the duration of the warranty period Midland Power Inc. (Midland) warrants that Equipment manufactured by it is warranted to be free from defects in material and workmanship. Midland will, at its sole discretion, replace or repair any part(s) which, upon evaluation and testing by Midland or an authorized service center, show a defect in workmanship or material. Valid proof of purchase must be submitted online for registration with Midland, or presented to Midland at time of claim, for warranty to be valid. This warranty is not transferable from the original owner.

Limited Warranty Period:

Non-commercial use:

- Year 1, 2 and 3 - Parts and Labour
- Year 4 and 5 - Parts

Commercial use:

- First 6 Months - Parts and Labour

Replacement parts sold to a consumer or installed by an authorized service center are warranted for a period of 90 days from date of purchase. Labour must be performed by an authorized service center unless given Midland's prior written approval. Midland will not bear any transportation or shipping fees to or from an authorized service center. Service calls, travel charges, overtime, or weekend rates, are not covered.

This warranty does NOT cover:

- a. Any repairs required as a result of any parts not supplied by Midland, and this part is responsible for the failure or malfunction;
- b. Any Equipment modified, altered, disassembled or remodelled;
- c. Any repairs required as a result of a failure to install, maintain, store, transport, or operate the Equipment in accordance with standard practices set out in the user guide;
- d. Damage that occurred after receipt of equipment, not caused by defects in workmanship or material;
- e. Normal maintenance services, as outlined in the user guide and intended for a consumer to perform;

- f. Replacement of parts made in connection with normal maintenance services including oils, adhesives, additives, fuel, filters, brushes, belts, lubricants, spark plugs, gaskets, seals, fasteners, wires, tubes, pipes, fittings, wheels, batteries, and other expendables susceptible to natural wear;
- g. Any accessory or attachment.

Any battery supplied with this Equipment is considered a consumable item and is excluded from this warranty. Batteries can be damaged by shock, shorting terminals, heat, acid spillage, neglect, and other factors. It is the customer's responsibility to take great care when handling a battery so no spillage of acid occurs which may cause corrosion.

Midland disclaims any responsibility for loss of time or use of the product, transportation, or towing costs or any other indirect, incidental, or consequential damage, inconvenience or commercial loss.

This warranty is the entire and only warranty given by Midland for Midland products or equipment. No agent or employee is authorized to extend or enlarge this warranty on behalf of Midland by any written or verbal statement or advertisement.

California

The California Air Resources Board and Midland Power Inc. are pleased to explain the emission control system warranty on your Midland Power Inc. engine. In California, new spark-ignited small off-road equipment engines must be designed, built, and equipped to meet the State's stringent anti-smog standards.

Other States, U.S. territories, and Canada

In other areas of the United States and in Canada, your engine must be designed, built, and equipped to meet the U.S. EPA and Environment Canada emission standards for spark-ignited engines at or below 19 kilowatts.

All of the United States and Canada

Midland Power Inc. must warrant the emission control system on your power equipment engine for the period of time listed below, provided there has been no abuse, neglect, or improper maintenance of your power equipment engine. Where a warrantable condition exists, Midland Power Inc. will repair your power equipment engine at no cost to you including diagnosis, parts, and labor.

Your emission control system may include such parts as the carburetor or fuel injection system, the ignition system, and catalytic converter. Also included may be hoses, connectors, and other emission-related assemblies.

Emission Control System Warranty Parts:

This list applies to parts supplied by Midland Power Inc. and does not cover parts supplied by the equipment manufacturer. Please see the original equipment manufacturer's emissions warranty for non-Midland Power Inc. parts.

Consumable parts are covered up to a maximum of 30 days.

SYSTEMS COVERED IN WARRANTY	PARTS DESCRIPTION
Fuel Metering	Carburetor assembly (includes starting enrichment system), Engine temperature sensor, Engine control module, Fuel regulator, Intake manifold
Evaporative	Fuel Tank, Fuel Cap, Fuel Hoses, Vapor Hoses, Carbon Canister, Canister Mounting Brackets, Fuel Strainer, Fuel cock, Fuel Pump, Fuel Hose Joint, Canister Purge Hose Joint
Exhaust	Catalyst, Exhaust Manifold
Air Induction	Air filter housing, Air filter element
Ignition	Flywheel magneto, Ignition pulse generator, Crankshaft position sensor, Power coil, Ignition coil assembly, Ignition control module, Spark plug cap, Spark plug
Crankcase Emission Control	Crankcase breather tube, Oil filler cap
Miscellaneous Parts	Tubing, fittings, seals, gaskets, and clamps associated with these listed systems

BENCHMARK[™]

**MIDLAND
POWER** 

Customer Service

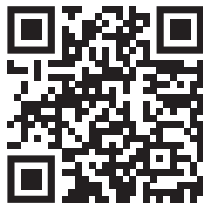
Online: www.benchmark.midlandpowerinc.com

E-mail: support@midlandpowerinc.com

Toll Free: 1-877-528-3772

Enjoy!

Be sure to check www.benchmark.midlandpowerinc.com for updates regarding your product.





BENCHMARKTM_{MC}

HH0403, BM1740, BLM2050E

BENCHMARK^{MC}

5124-044, 5124-042, 5124-041

HH0403, BM1740, BLM2050E



MANUEL

BENCHMARKTM

**MIDLAND
POWER** 

Ce produit est pris en charge par **Midland Power**.
Contactez-nous directement pour obtenir de l'aide sur la
garantie et tout autre assistance. Ne retournez pas ce produit
en magasin.

Vous devez vous enregistrer en ligne pour valider votre
garantie. Cela ne prend qu'une minute... faites-le maintenant
pendant que vous avez toujours votre reçu d'achat.

Enregistrer votre produit en ligne

[www.benchmark.midlandpowerinc.com/
register-warranty](http://www.benchmark.midlandpowerinc.com/register-warranty)



L'assistance pour votre produit est disponible en ligne, y
compris les pièces, les emplacements des centres de service,
et les conseils d'experts en direct

Visitez-nous en ligne à

www.benchmark.midlandpowerinc.com



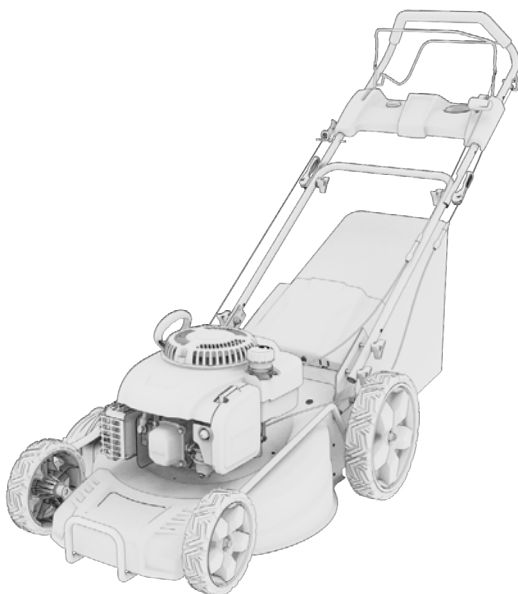
Ou appelez-nous en tout temps au **1-877-528-3772**.

Merci d'avoir choisi Benchmark !

Vous avez hâte de démarrer, alors nous garderont cette section courte.

LISEZ CE GUIDE EN ENTIER AVANT D'UTILISER CE PRODUIT ET CONSERVEZ-LE POUR UNE UTILISATION ULTÉRIEURE.

Ce guide de l'utilisateur comprend des instructions importantes à suivre sur la sécurité, la configuration, le fonctionnement et l'entretien du produit. Toutes les informations contenues dans ce guide sont basées sur les informations disponibles au moment de l'impression. Ce guide ou des éditions révisées peuvent être téléchargés sur notre site Web. Aucune partie de cette publication ne peut être reproduite sans autorisation écrite.



CET ARTICLE RÉPOND À TOUS LES REQUIS DE CERTIFICATION DE:



L'échappement du moteur de ce produit contient des produits chimiques reconnus pour causer le cancer, des malformations congénitales ou d'autres troubles de la reproduction.

©2024 Benchmark. Tous droits réservés.

HH0403 BM1740 BLM2050E_Manual_FR_2024-02-26

TABLE DES MATIÈRES

1. Sécurité	1
2. En savoir plus sur la tondeuse à gazon	6
3. Démarrage	10
4. Vérification préalable à l'utilisation	23
4.1 Vérifier le niveau d'huile	23
4.2 Vérification du niveau de carburant	24
5. Démarrer le moteur	26
5.1 Démarrage à recul manuel	27
5.2 Démarrage électrique (BLM2050E seulement)	28
6. Arrêt du moteur	29
7. Utilisation de votre tondeuse à gazon	30
7.1. Nettoyer le moteur inondé	30
7.2. Utilisation de la fonction automotrice (BM1740, BLM2050E seulement)	31
7.3 Vider le sac à herbe	33
7.4 Stockage vertical	34
7.5 Conseils de tonte	36
8. Entretien	36
8.1 Calendrier d'entretien	38
8.2 Changer l'huile à moteur	39
8.3 Cleaning the Air-Filter	41
8.4 Remplacement de la lame	43
8.5 Service de bougie d'allumage	44
8.6 Réglage du câble de vitesse	45
8.7 Entretien des filtres à carburant	45
8.8 Système de contrôle des émissions	46
8.9 Modification du Carburateur pour un Fonctionnement en Haute Altitude	47
9. Transport et remisage	49
10. Dépannage	51
11. Spécifications techniques	52
12. Tout sur la garantie	53

1. SÉCURITÉ

⚠ DANGER	
Utilise un moteur à l'intérieur VOUS TUERA EN QUELQUES MINUTES . L'échappement des moteurs contient du monoxyde de carbone. Un gaz toxique que vous ne pouvez ni voir ni sentir.	
NE JAMAIS utiliser à l'intérieur d'une maison ou d'un garage! MÊME SI les portes et fenêtres sont ouvertes.	Utiliser seulement à L'EXTÉRIEUR , et loin des fenêtres, des portes et des bouches d'air.
Éviter d'autres dangers associés aux moteurs. LIRE LE MANUEL AVANT D'UTILISER L'APPAREIL.	

⚠ DANGER! ⚠

Un moteur utilisée à l'intérieur peut vous tuer en quelques minutes.

Les gaz d'échappement de ce produit contiennent des produits chimiques connus pour provoquer des cancers, des malformations congénitales et d'autres troubles de reproduction.

1.1 SÉCURITÉ DES OPÉRATEURS

⚠ AVERTISSEMENT!

- Toujours effectuer une vérification des filtres à huile, à carburant et à air avant de démarrer le moteur.
- Nettoyer et entretenir correctement l'appareil.
- Faire fonctionner la tondeuse à gazon conformément aux instructions pour un service sûr et fiable.
- Avant de faire fonctionner la tondeuse à gazon, lire attentivement le guide d'utilisation. Dans le cas contraire, elle pourrait entraîner des blessures ou des dommages matériels.
- Ne jamais faire fonctionner la tondeuse à gazon dans un endroit fermé pour éviter les dommages causés par les émissions d'un gaz toxique, le monoxyde de carbone, par le tuyau d'échappement.
- Veiller à ne pas toucher le système d'échappement pendant le fonctionnement en raison du risque de brûlures.
- Bien lire les étiquettes d'avertissement. Le système d'échappement du moteur est chauffé pendant le fonctionnement et reste chaud immédiatement après l'arrêt du moteur.
- L'essence est un liquide hautement inflammable et explosif. Faire le plein dans un endroit bien ventilé, avec le moteur à l'arrêt.

- L'utilisation d'une essence dont la teneur en éthanol est supérieure à 10 % peut endommager le moteur et le système d'alimentation en carburant et annule la garantie du fabricant.
- Lors du plein de la tondeuse à gazon, tenir celle-ci à l'écart des cigarettes, des flammes nues, de la fumée ou des étincelles.
- Placer la tondeuse à gazon à au moins trois pieds des bâtiments ou des autres équipements pendant le fonctionnement.
- Faire fonctionner la tondeuse à gazon sur une surface plane. L'inclinaison de la tondeuse à gazon peut entraîner des déversements de carburant.
- Savoir comment arrêter rapidement la tondeuse à gazon et comprendre le fonctionnement de toutes les commandes. Ne jamais permettre à quiconque de faire fonctionner la tondeuse à gazon sans les instructions appropriées.
- Garder les enfants, les animaux domestiques et les machines avec des pièces rotatives à l'écart pendant le fonctionnement.
- Ne pas faire fonctionner la tondeuse à gazon sous la pluie ou la neige.
- Ne pas utiliser la tondeuse à gazon si elle est endommagée. Faire réparer la machine avant utilisation.
- Ne pas toucher la bougie d'allumage pendant que le moteur fonctionne ou peu après son arrêt.
- Porter des dispositifs de protection auditive et oculaire lors de l'utilisation de cet appareil.

1.2 UTILISATION SÉCURITAIRE

⚠ AVERTISSEMENT!

- Ne pas utiliser la tondeuse à gazon dans un espace confiné où des émanations dangereuses de monoxyde de carbone peuvent s'accumuler.
- Faites le plein à l'extérieur uniquement et ne pas fumer pendant le ravitaillement.
- Ne jamais enlever le bouchon du réservoir de carburant ou ajouter d'essence pendant que le moteur tourne ou quand le moteur est chaud.
- Si de l'essence est renversé, ne pas essayer de démarrer le moteur. Éloignez la machine de la zone de déversement et évitez de créer une source d'inflammation jusqu'à ce que les vapeurs de gaz se soient dissipées.
- Inspectez toujours visuellement pour vous assurer que les lames, les boulons de lame et l'ensemble de coupe ne sont pas usés

ou endommagés. Remplacez les lames et les boulons usés ou endommagés par jeux pour préserver l'équilibre.

- Tondez uniquement à la lumière du jour ou sous un bon éclairage artificiel.
- Dans la mesure du possible, évitez d'utiliser l'équipement dans de l'herbe mouillée.
- Assurez-vous toujours d'avoir un bon appui sur les pentes.
- Marchez, ne jamais courir.
- Soyez extrêmement prudent lorsque vous changez de direction sur les pentes.
- Ne pas tondre des pentes trop raides.
- Soyez extrêmement prudent lorsque vous reculez ou tirez la tondeuse à gazon vers vous.
- Arrêtez les lames si la tondeuse à gazon doit être inclinée pour le transport lors de la traversée de surfaces autres que de l'herbe, et lors du transport de la tondeuse à gazon vers et depuis la zone à tondre.
- Ne jamais utiliser la tondeuse à gazon avec des protections défectueuses ou sans dispositifs de sécurité en place, par exemple des déflecteurs et/ou des bacs à herbe.
- Ne pas modifier les réglages du régulateur du moteur ou surrégime le moteur.
- Désengagez tous les embrayages de lame et d'entraînement avant de démarrer le moteur.
- Démarrez le moteur ou allumez le moteur avec précaution conformément aux instructions et avec les pieds éloignés de la ou des lames.
- Ne pas incliner la tondeuse à gazon lors du démarrage ou de la mise en marche du moteur, sauf si la tondeuse à gazon doit être inclinée pour démarrer. Dans ce cas, ne l'inclinez pas plus que nécessaire et ne soulevez que la partie éloignée de l'opérateur.
- Ne pas démarrer le moteur lorsque vous vous tenez devant la goulotte d'éjection.
- Ne pas placer les mains ou les pieds à proximité ou sous les pièces rotatives. Restez à l'écart de l'ouverture de décharge à tout moment.
- Ne jamais soulever ou transporter une tondeuse à gazon pendant que le moteur tourne.
- Arrêtez le moteur et débranchez le fil de la bougie. Assurez-vous que toutes les pièces mobiles sont complètement arrêtées et, si une clé est installée, retirez la clé.

- Avant de faire le plein.
- Avant de nettoyer les blocages ou de déboucher la goulotte.
- Avant de vérifier, nettoyer ou travailler sur la tondeuse à gazon.
- Après avoir heurté un objet étranger. Vérifiez que la tondeuse à gazon n'est pas endommagée et effectuez les réparations avant de redémarrer ou d'utiliser la tondeuse à gazon.
- Si la tondeuse à gazon commence à vibrer anormalement, vérifiez le problème immédiatement.
- Chaque fois que vous quittez la tondeuse à gazon.


1.3 ENTRETIEN SÉCURITAIRE

▲ AVERTISSEMENT!

- Arrêter le moteur avant d'effectuer tout entretien. Le non-respect de cette consigne peut entraîner des blessures corporelles graves ou la mort.
- Utiliser des gants en caoutchouc lors du contact avec l'huile à moteur.
- Après tout entretien, se laver immédiatement à l'eau claire et au savon, car l'exposition répétée au lubrifiant peut provoquer une irritation de la peau.
- Ne pas nettoyer l'élément filtrant avec des liquides inflammables comme l'essence, car une explosion pourrait se produire.
- Laisser refroidir la tondeuse à gazon avant d'effectuer tout entretien.
- Toujours arrêter l'ensemble de la tondeuse à gazon avant de retirer le bouchon de remplissage d'huile.
- Pour réduire le risque d'incendie, gardez le moteur, le silencieux, le compartiment de la batterie et la zone de stockage de l'essence exempts d'herbe, de feuilles ou de graisse excessive.
- Vidanger le réservoir de carburant à l'extérieur uniquement.
- Vérifiez fréquemment l'usure ou la détérioration du bac à herbe.
- Seulement le personnel d'entretien qualifié connaissant les carburants et les dangers des machines doit effectuer les procédures d'entretien.
- Voir le « calendrier d'entretien » pour connaître le calendrier d'entretien recommandé.

1.4 AUTRES CONSEILS DE SÉCURITÉ

⚠ WARNING ⚠
AVERTISSEMENT

 **TOXIC FUMES HAZARD.** Running engines give off carbon monoxide, an odourless poisonous gas that can cause nausea, fainting, or death. Do not start engine indoors or in an enclosed area, even if the windows and doors are open.

DANGER TOXIQUE. Faire fonctionner un moteur dégage de l'oxyde de carbone, un gaz inodore toxique qui peut provoquer la nausée, évanouissement ou la mort. Ne démarrer pas le moteur à l'intérieur ou dans une espace clos, même si les fenêtres et les portes sont ouvertes.

⚠ AVERTISSEMENT!

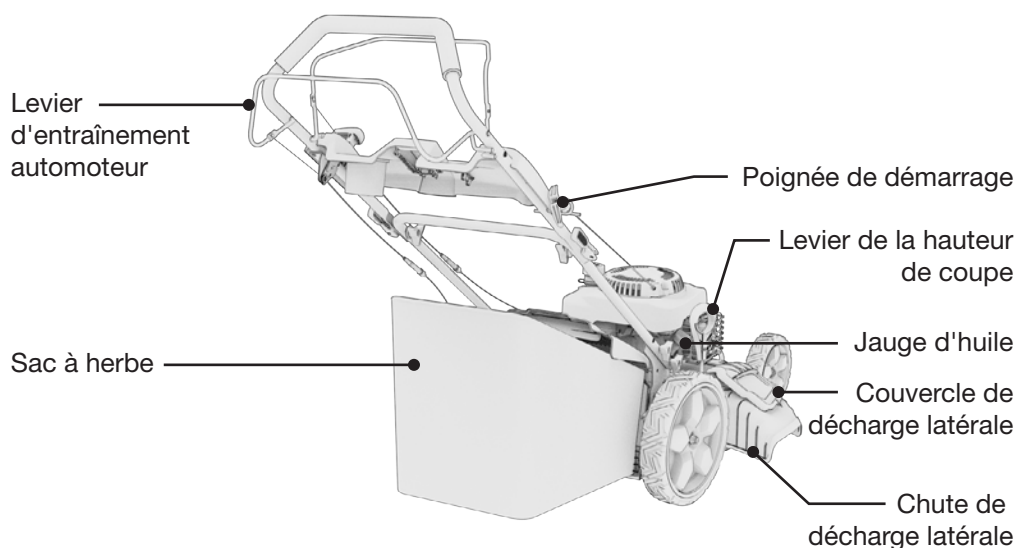
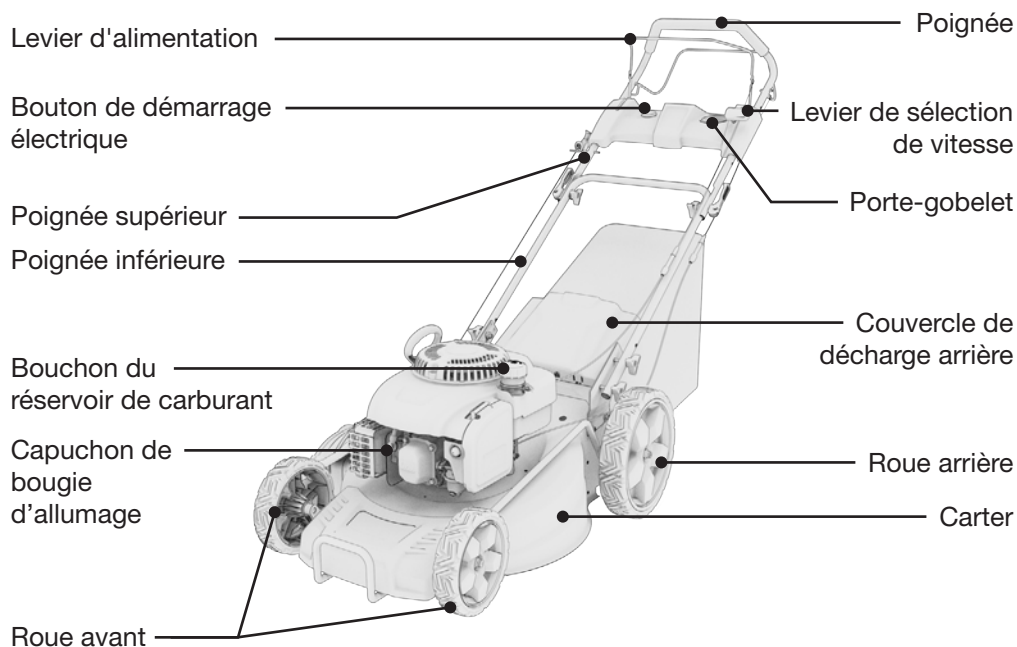
- Les moteurs en marche dégagent du monoxyde de carbone, un gaz toxique inodore qui peut provoquer des nausées, des évanouissements ou la mort. Ne pas démarrer le moteur à l'intérieur ni dans un endroit fermé, même si les fenêtres et les portes sont ouvertes.
- En cas de symptômes de maladie, d'étourdissement ou de faiblesse après le fonctionnement de la tondeuse à gazon, sortir à l'air frais IMMÉDIATEMENT. Consulter un médecin. Il pourrait s'agir d'un empoisonnement au monoxyde de carbone.
- Les tondeuses à gazon vibrent dans le cadre d'une utilisation normale. Pendant et après l'utilisation de la tondeuse à gazon, inspecter la tondeuse à gazon pour détecter les dommages découlant des vibrations. Faire réparer ou remplacer les articles endommagés si nécessaire. Ne pas utiliser de tuyaux qui présentent des signes d'endommagement tels qu'une isolation cassée ou fissurée ou des connecteurs endommagés.

2. EN SAVOIR PLUS SUR LA TONDEUSE À GAZON

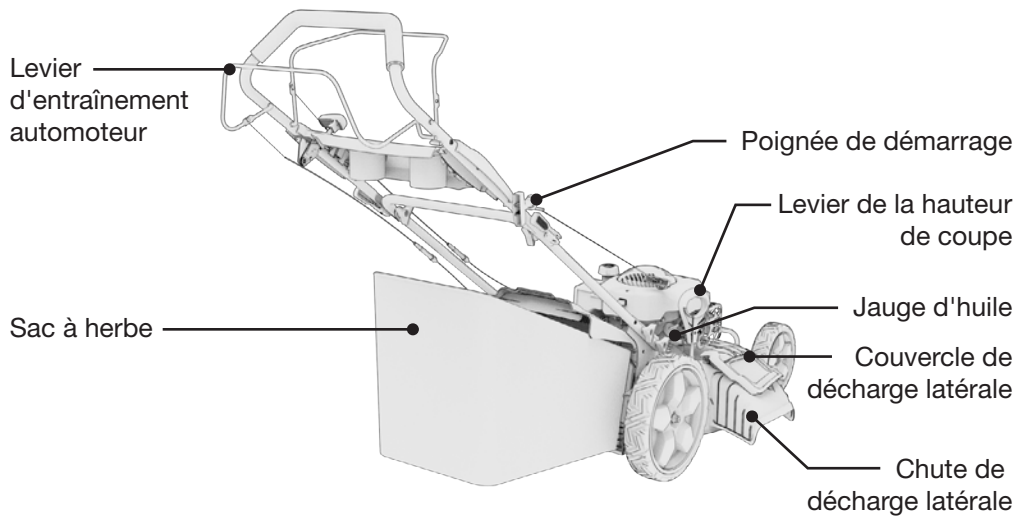
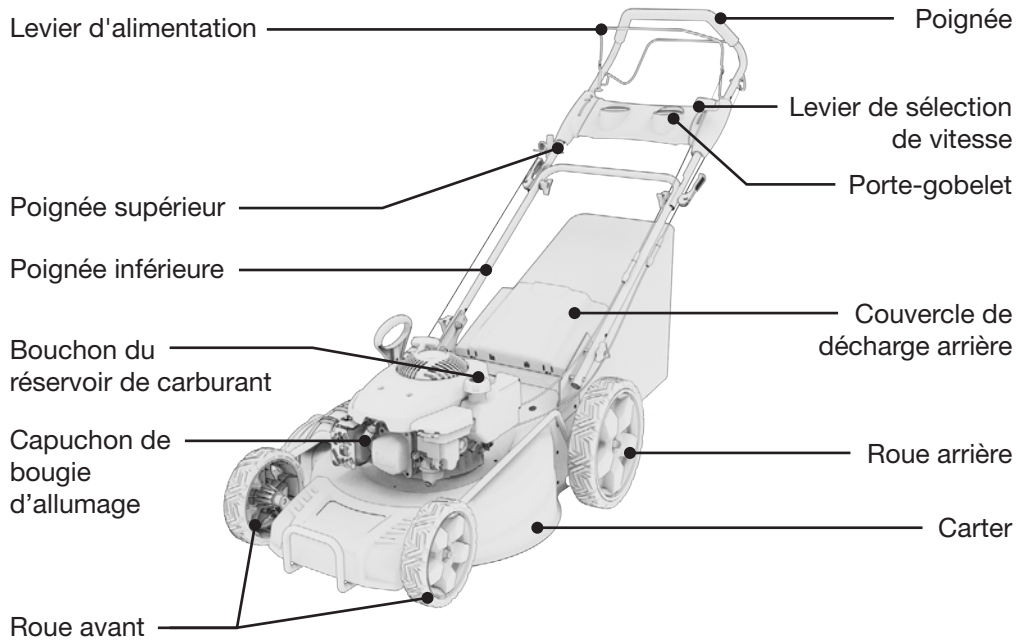
Cette section vous montrera comment déterminer les éléments clés de votre tondeuse à gazon. Parcourir la terminologie ci-dessous pour vous assurer que nous sommes sur la même longueur d'onde.

2.1 IDENTIFICATION DES COMPOSANTS

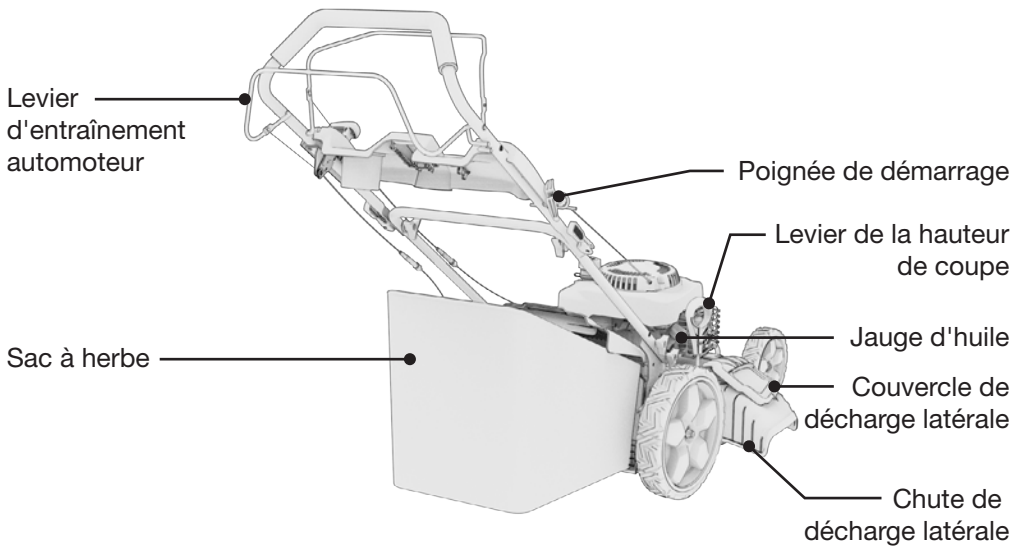
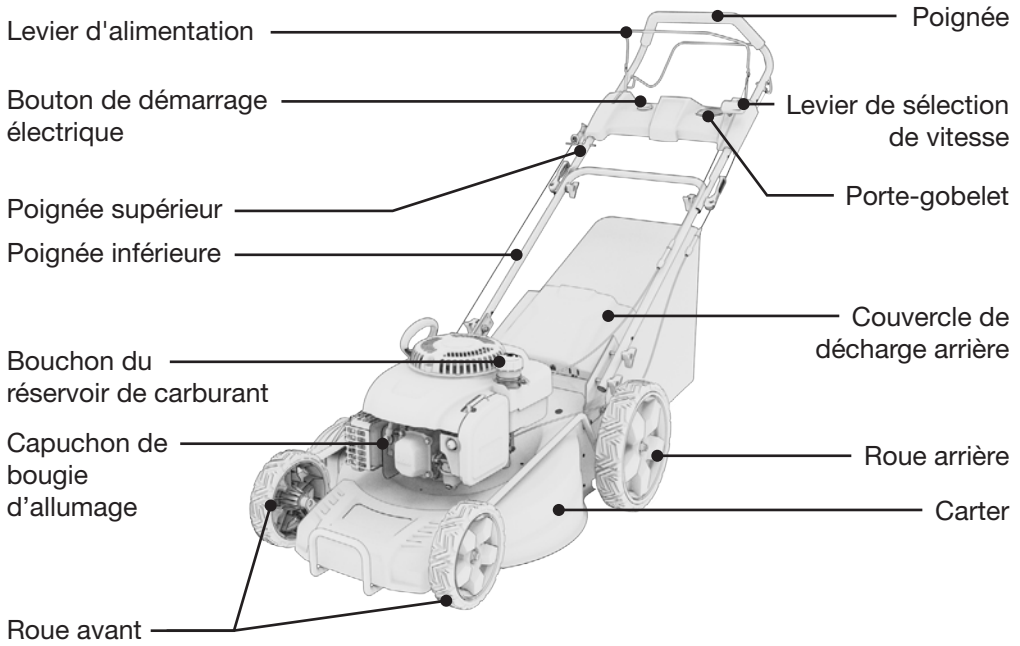
HH0403



BM1740



BLM2050E



2.2 FONCTIONS DE CONTRÔLE

Levier de la hauteur de coupe

- Réglez pour régler la hauteur de coupe.
- La hauteur de coupe varie de 25 mm à 75 mm.

Sac à herbe

- Lorsqu'il est installé, le sac à herbe récupère l'herbe par la chute de décharge arrière.

Levier d'alimentation

- Appuyez sur le levier de puissance et maintenez-le enfoncé. Le moteur s'allumera.
- Relâchez le levier de puissance et le moteur s'éteindra.

Poignée de démarrage

- Pour le démarrage manuel, tirez sur la poignée du démarreur tout en tenant le levier d'alimentation contre la poignée.

Bouton de démarrage électrique (BLM2050E seulement)

- Démarrez la tondeuse à gazon en appuyant sur le bouton de démarrage électrique tout en tenant le levier d'alimentation contre la poignée.

Levier d'entraînement automoteur (BM1740, BLM2050E seulement)

- Appuyez sur le levier d'entraînement automoteur et la tondeuse à gazon commencera à se déplacer avec le moteur en marche.
- Relâchez le levier d'entraînement pour arrêter.

Levier de sélection de vitesse (BM1740, BLM2050E seulement)

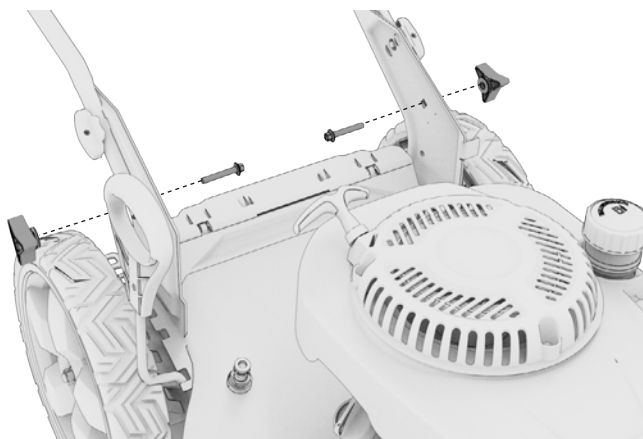
- Une fois le moteur en marche, sélectionnez la vitesse d'entraînement 1, 2 ou 3, pour régler les différentes vitesses de propulsion.

3. DÉMARRAGE

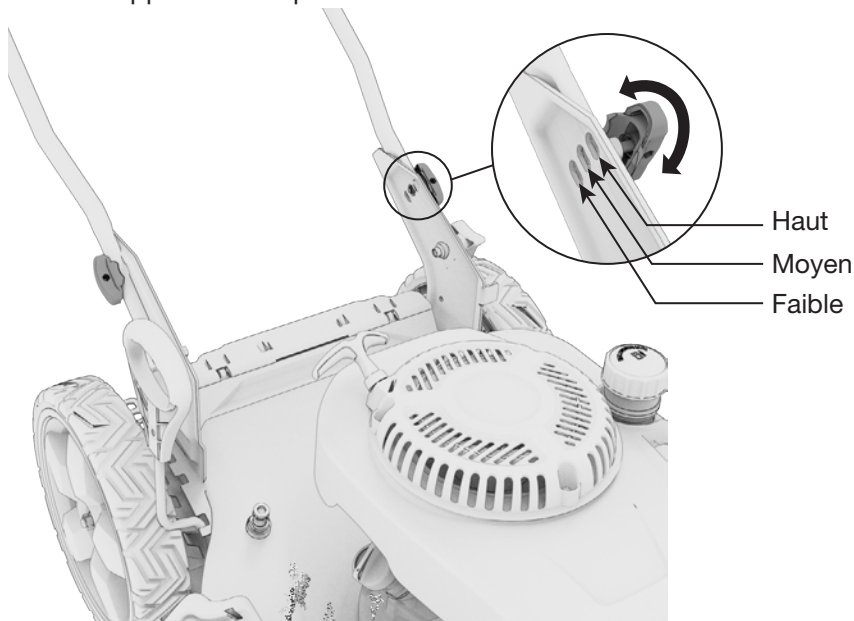
La configuration de la tondeuse à gazon est conçue pour vous permettre de vous mettre en route le plus rapidement possible. Couper les quatre coins de la boîte de haut en bas au lieu d'essayer de sortir l'appareil de la boîte.

3.1 ASSEMBLAGE DE LA POIGNÉE

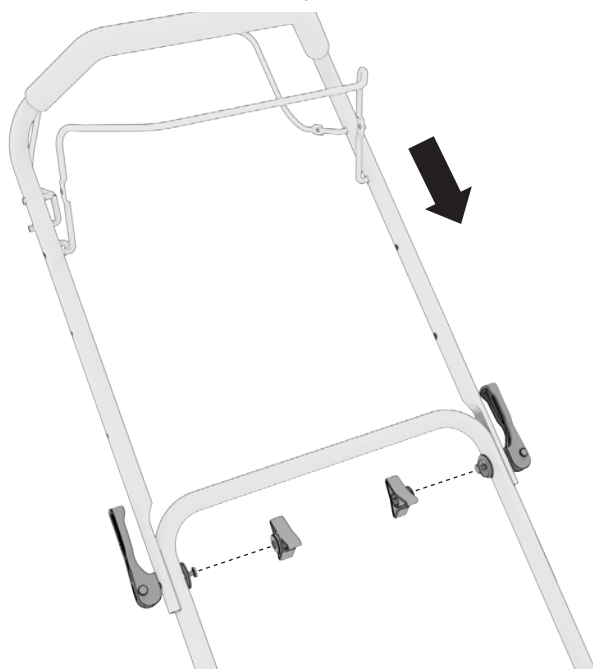
1. Fixez la poignée inférieure à l'appareil à l'aide de deux boulons et de deux petits boutons de chaque côté.



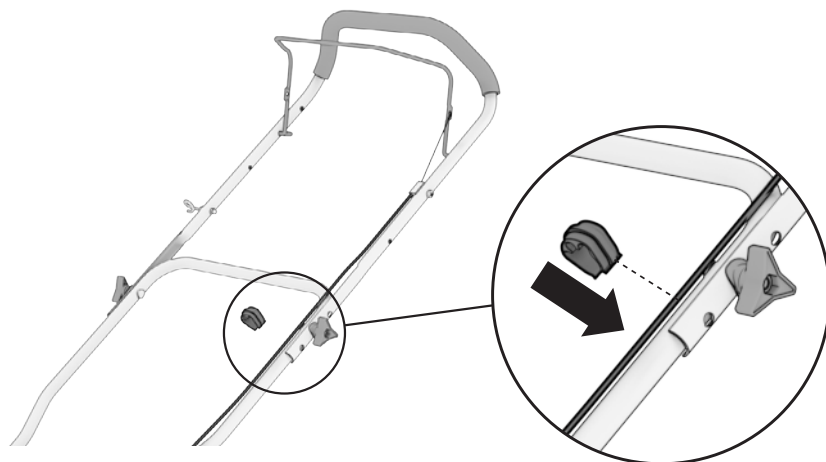
2. Tournez le bouton à ressort dans le sens des aiguilles d'une montre ou dans le sens inverse et alignez les trous de montage du support. Tournez le bouton vers l'arrière jusqu'à ce que le boulon argenté passe à travers le trou du support avec la position en hauteur de votre choix.



3. Dépliez la poignée supérieure et fixez-la à la poignée inférieure en utilisant les gros boutons et les boulons de chaque côté.



4. S'assurer que le câble du levier d'alimentation repose au-dessus des poignées inférieure et supérieure, comme indiqué sur l'image.

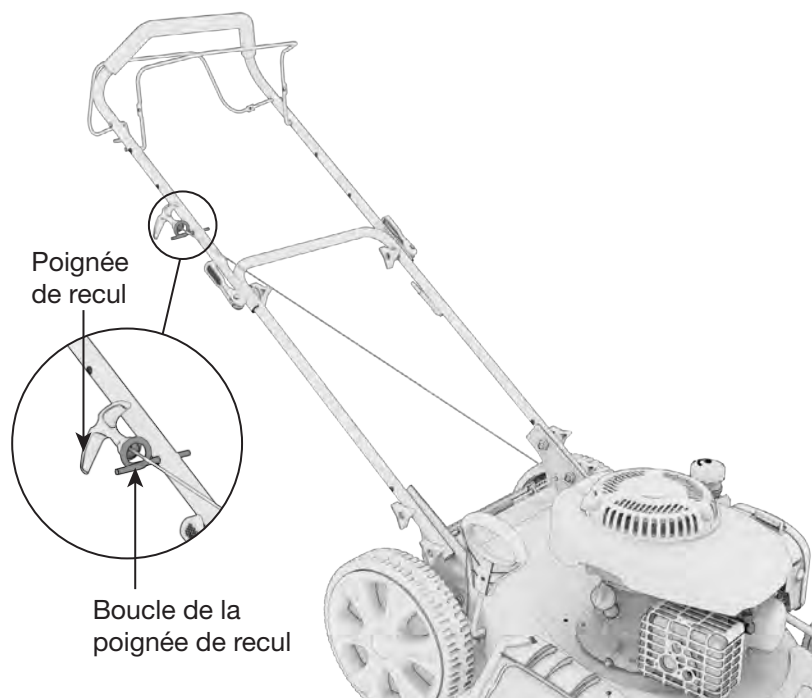


REMARQUE

- Assurez-vous que le guide-câble est sur la poignée droite lorsque vous vous tenez derrière la tondeuse.

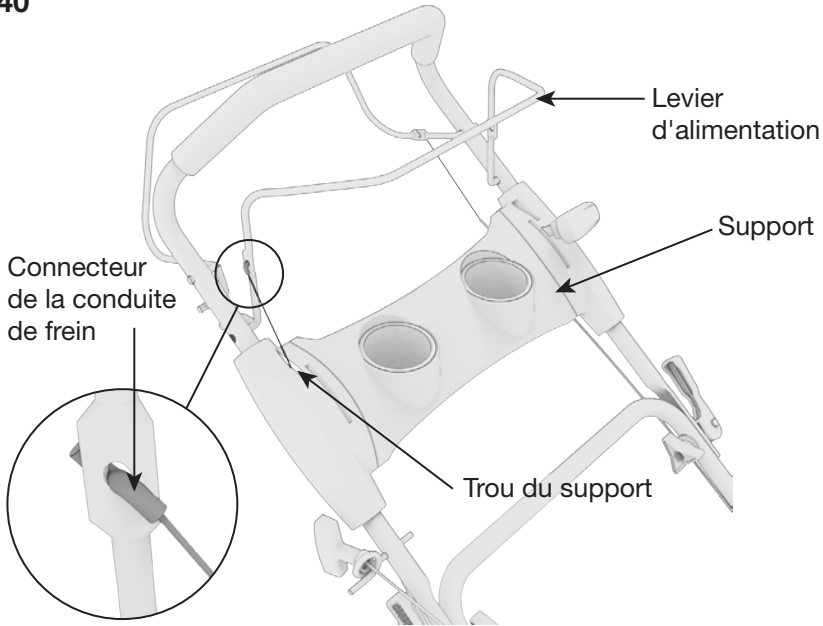
3.2 ASSEMBLAGE DE LA BOUCLE DE LA POIGNÉE DE RECUL

(Optionnel) Fixez le cordon de connexion de la poignée de recul avec la boucle de la poignée de recul.

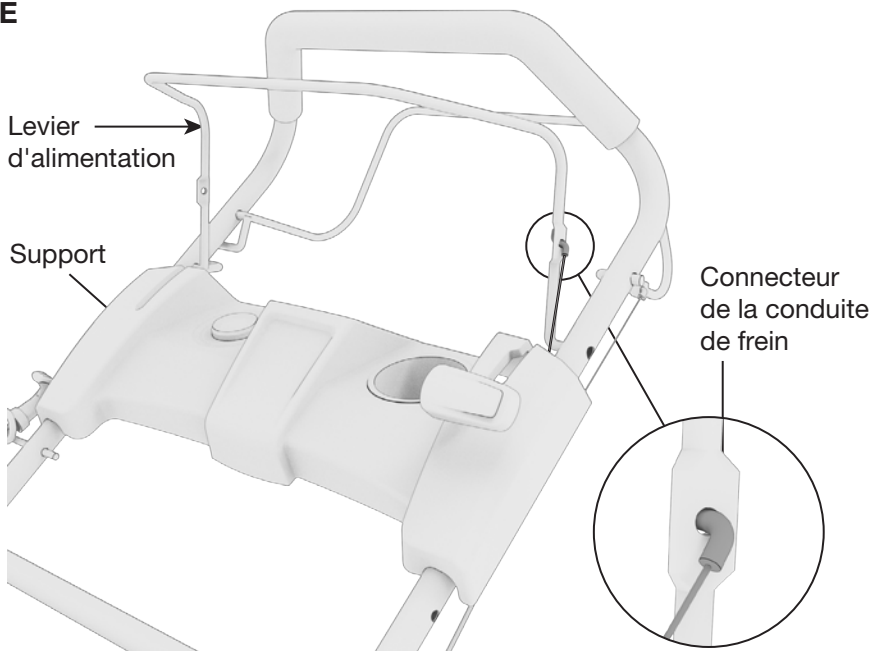


3.3 ASSEMBLAGE DU SUPPORT DE TASSE (BM1740, BLM2050E SEULEMENT)

BM1740



BLM2050E



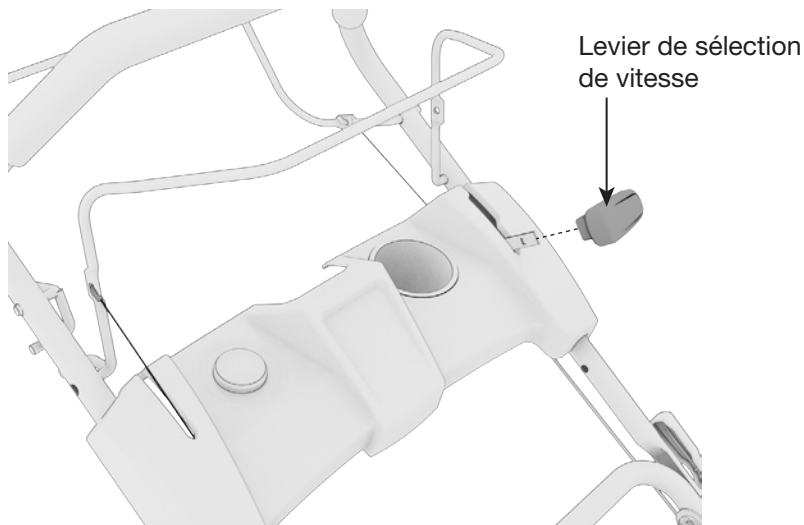
1. S'il est déjà connecté, retirez le câble du levier d'alimentation.
2. Fixez le support de tasse à la poignée supérieure à l'aide des vis fournies.
3. Faites passer le câble dans le trou du support de tasse, et connectez-le au

levier d'alimentation.

REMARQUE

- Seul le câble du levier de puissance doit passer par le trou du support de tasse.

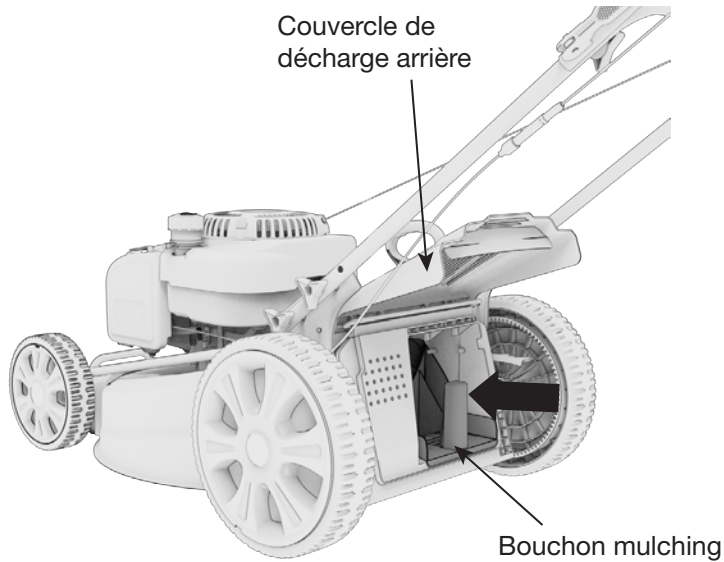
3.4 ASSEMBLAGE DE LA POIGNÉE DE SÉLECTION DE VITESSE (BM1740, BLM2050E SEULEMENT)



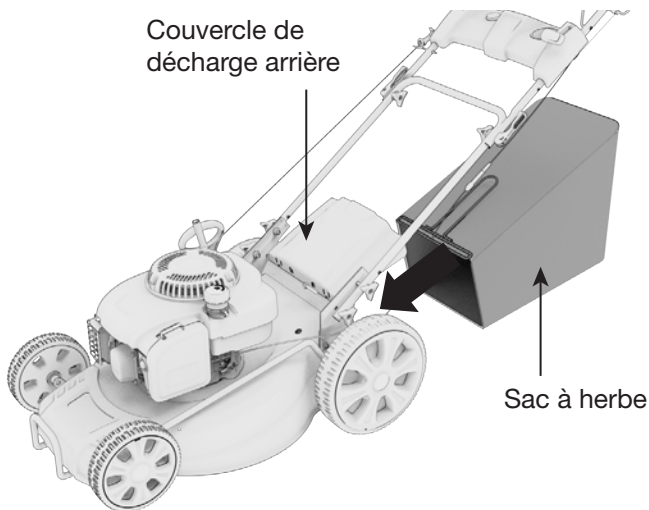
1. Placez la poignée sur le levier de sélection de vitesse
2. Fixez la poignée avec une vis.

3.5 RETIREZ OU CONSERVEZ LE BOUCHON MULCHING

Laissez le bouchon installé pour le mulching ou retirez-le lorsque vous choisissez une éjection latérale ou arrière. S'il est retiré, le bouchon peut être stockée pour une utilisation ultérieure.



3.6 ASSEMBLAGE DU SAC À HERBE



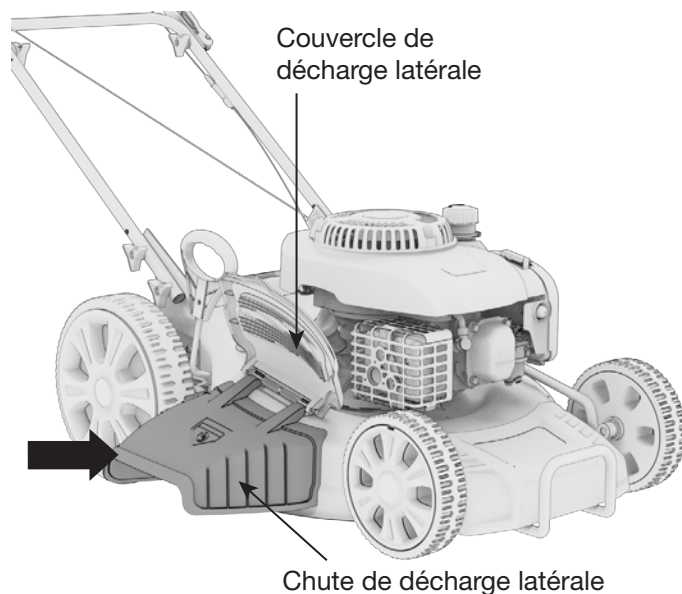
1. Fixez les clips en plastique du sac à herbe sur le cadre métallique et assurez-vous qu'ils sont bien fixés au cadre métallique.
2. Soulevez le couvercle d'éjection arrière d'une main et accrochez le sac à herbe à la goulotte d'éjection arrière. La connexion peut sembler lâche.

3. Relâchez le couvercle de décharge arrière pour fixer le bac à herbe en position.

3.7 ASSEMBLAGE DE LA CHUTE DE DÉCHARGE LATÉRALE

REMARQUE

- Retirez le sac à herbe et assemblez le bouchon de paillage avant d'utiliser la fonction de décharge latérale.

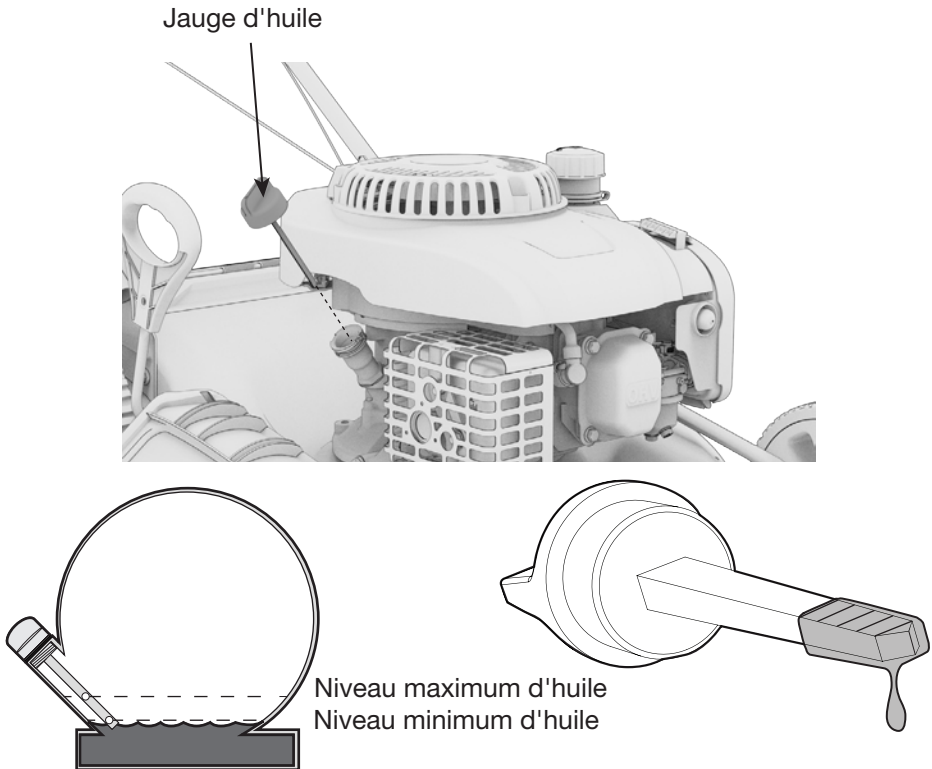


1. Soulevez le couvercle de décharge latérale d'une main et accrochez la chute de décharge latérale de l'autre main.
2. Relâchez le couvercle de décharge latérale pour fixer la goulotte en place.

3.8 AJOUTEZ DE L'HUILE MOTEUR

⚠ AVERTISSEMENT!

L'huile de moteur usagée peut provoquer des irritations cutanées si elle est en contact prolongé avec la peau. Laver soigneusement l'huile usagée le plus tôt possible à l'eau et au savon.



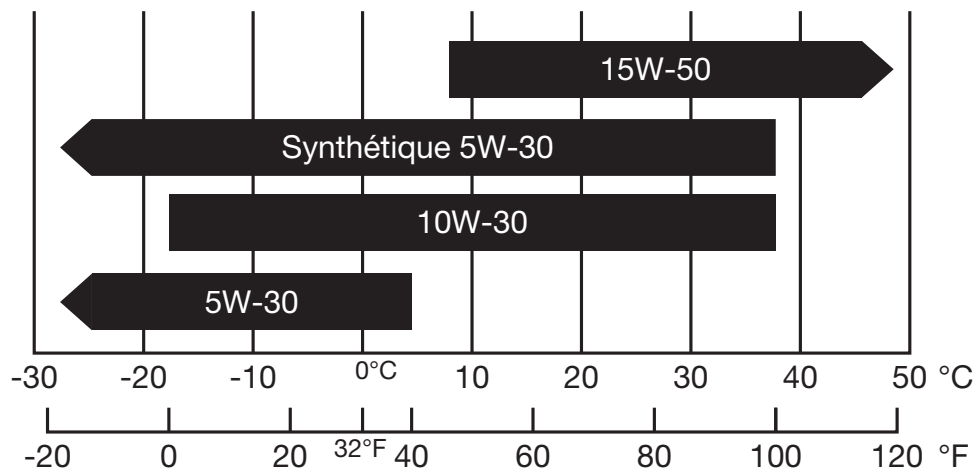
1. S'assurer que la tondeuse à gazon se trouve sur une surface plane.
2. Dévisser et nettoyer la jauge d'huile.
3. Vérifier le niveau d'huile en remettant la jauge d'huile en place sans la revisser. Retirer la jauge et examiner le niveau d'huile. Si le niveau est égal ou inférieur au niveau d'huile minimum indiqué sur la jauge, remplir jusqu'au niveau d'huile maximum indiqué.
4. Réinsérer la jauge et serrer fermement.

REMARQUE

- Capacité d'huile maximale :
 - HH0403 : 400 mL
 - BM1740 : 400 mL

- BLM2050E : 400 mL
- Huile SAE10W-30 est recommandée pour l'utilisation générale.
- NE PAS SURREMPLIR.

Gamme de Viscosité Effectif des Huiles du Moteur

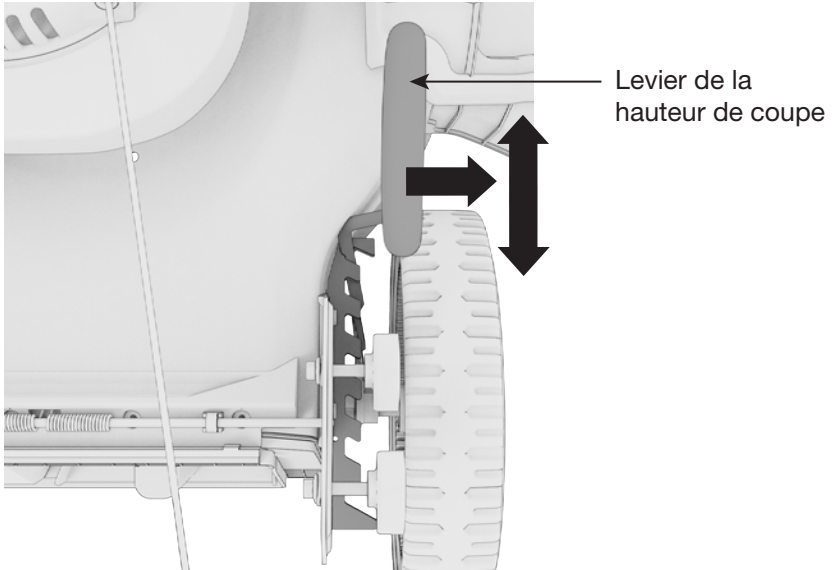


- Ne pas incliner la tondeuse à gazon lors de l'ajout de l'huile à moteur. Cela pourrait entraîner un remplissage excessif et endommager le moteur.
- L'utilisation d'une huile non détergente ou d'une huile pour moteur à deux temps pourrait réduire la durée de vie du moteur.
- Utiliser une huile à moteur de haute qualité avec des détergents puissants.
- Manipuler et stocker l'huile à moteur avec précaution, en évitant d'y faire entrer de la saleté ou de la poussière.
- Ne pas mélanger différentes huiles à moteur.
- Avant que l'huile du moteur descende en dessous de la marge de sécurité, le système d'alerte de bas niveau d'huile arrête automatiquement le moteur. Le voyant de bas niveau d'huile s'allumera.
- Utiliser une huile pour moteur à quatre temps, certifiée conforme ou supérieure aux normes API SG, SF, SAE.

3.9 RÉGLAGE DE LA HAUTEUR DE COUPE

⚠ AVERTISSEMENT!

Réglez la hauteur de coupe uniquement lorsque le moteur est éteint.



1. Tirez le levier et sélectionnez la hauteur de coupe souhaitée. La poignée s'enclenche dans la position souhaitée.

REMARQUE

- La hauteur de coupe varie de 25 mm à 75 mm.

3.10 BATTERIE DE DÉMARRAGE ÉLECTRIQUE (BLM2050E SEULEMENT)

⚠ AVERTISSEMENT!

Lors de l'utilisation d'une batterie neuve ou d'une batterie qui a été stockée pendant une longue période, chargez la batterie avant de l'utiliser.

Ne pas inverser la polarité ! Connectez correctement la polarité positive et négative de la batterie.

En cas de bruit, de température ou de fuite anormaux, arrêtez immédiatement d'utiliser la batterie. Ne pas séparer, presser, frapper ou modifier la batterie, sinon la batterie peut surchauffer ou prendre feu. Le contenu de la batterie est nocif pour la peau et les yeux et endommagera les vêtements. Si la batterie fuit, ne pas toucher le liquide : cela brûlera les yeux et la peau. En cas de contact, rincez immédiatement la zone blessée avec une grande quantité d'eau, puis consultez un médecin. Si la batterie est chaude, ne pas la toucher tant qu'elle n'a pas refroidi. Laissez-la refroidir dans un environnement ventilé avant de la recharger.

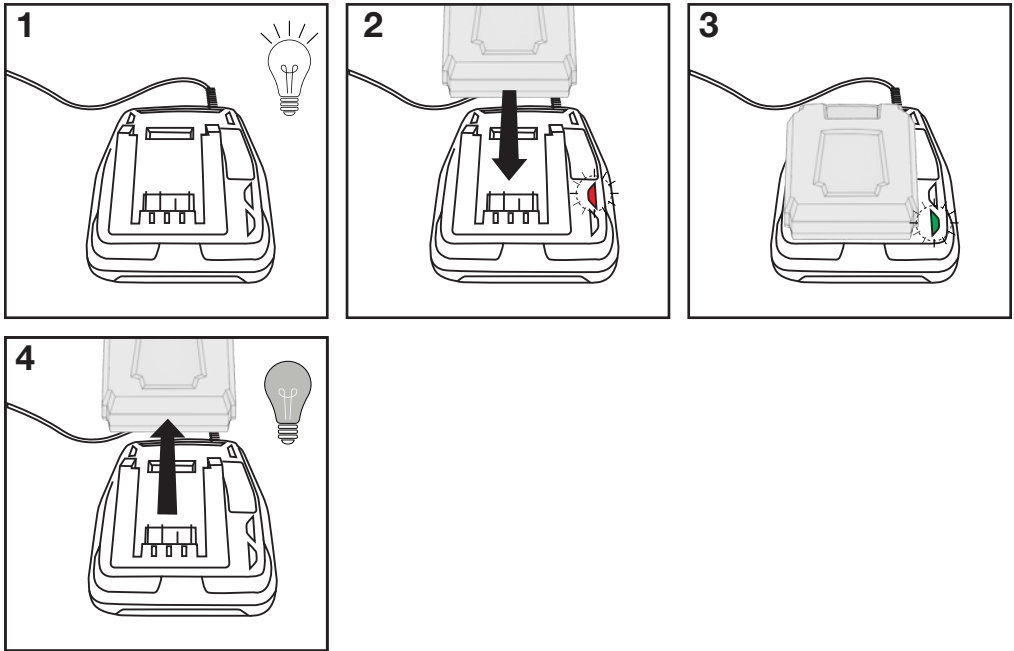
REMARQUE

- Votre batterie est livrée à 40 % de charge pour une expédition en toute sécurité.
- La batterie nécessite environ 3 heures pour une charge complète.
- Lorsque la batterie n'est pas utilisée, retirez-la de la tondeuse et rangez-la séparément pour maintenir la charge.
- Gardez la batterie propre et sèche. S'il y a de la saleté sur la surface de la batterie, essuyez-la avec un chiffon propre et sec.
- Ne pas stocker la batterie à la lumière directe du soleil ou dans d'autres environnements sévères. Une chaleur excessive réduira la durée de vie et pourrait causer la batterie de produire la fumée ou prendre feu.
- Ne pas stocker sur une étagère métallique ou en contact avec d'autres pièces métalliques. Si les bornes entrent continuellement en contact avec du métal, la batterie pourrait surchauffer à un niveau dangereux.
- Chargez la batterie tous les trois mois pour maintenir une charge saine. La meilleure pratique pour une longue durée de vie consiste à stocker les batteries lithium-ion entre 40 et 80 % de charge.
- Vérifiez toujours si la batterie est chargée avant de l'utiliser.
- Spécifications de la batterie lithium-ion : DC20V 2000mAh.

3.10.1 Chargement de la batterie

⚠ AVERTISSEMENT!

Ne pas couvrir la batterie pendant la charge : assurez-vous que la zone est bien ventilée. Le revêtement peut surchauffer la batterie et causer des dommages, des déformations, des brûlures ou d'autres blessures.

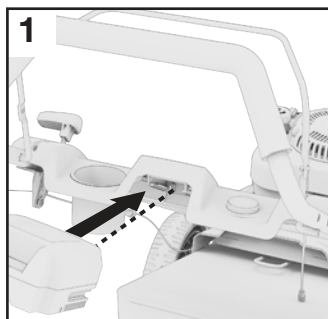


1. Branchez le chargeur dans la prise de courant, le voyant vert s'allumera.
2. Poussez la batterie dans le chargeur jusqu'à ce qu'elle s'enclenche, le voyant rouge s'allume pour indiquer que la batterie est en charge.
3. Lorsque la batterie est complètement chargée, le voyant vert s'allumera.
4. Une fois la batterie chargée, retirez la batterie et débranchez le chargeur du mur.

REMARQUE

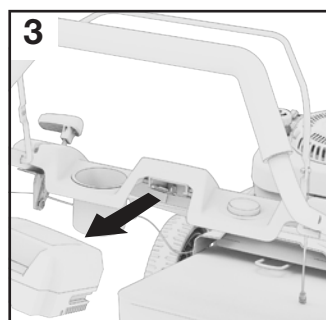
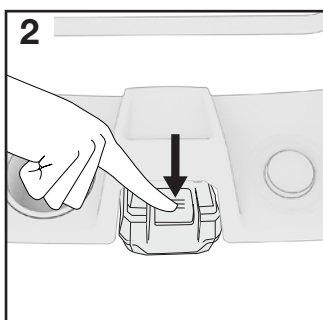
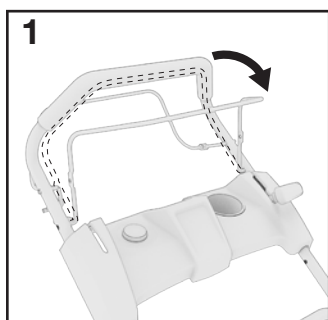
- Seul le BLM2050E est équipé d'une batterie de démarrage électrique et d'un chargeur.
- Utilisez uniquement le chargeur Lithium-ion fourni.
- Assurez-vous que la polarité est correcte lors de la charge, ne pas essayer de charger la batterie avec une polarité inversée.
- Ne pas stocker sur le chargeur de batterie. Une surcharge endommage la batterie et crée un risque d'incendie potentiel.

3.10.2 Installation de la batterie



1. Insérez la batterie jusqu'à ce qu'elle s'enclenche correctement.

3.10.3 Retrait de la batterie



1. Assurez-vous que la poignée a été relâchée et que la tondeuse est complètement arrêtée et refroidie.
2. Appuyez sur le bouton de déverrouillage de la batterie.
3. Retirez la batterie.

4. VÉRIFICATION PRÉALABLE À L'UTILISATION

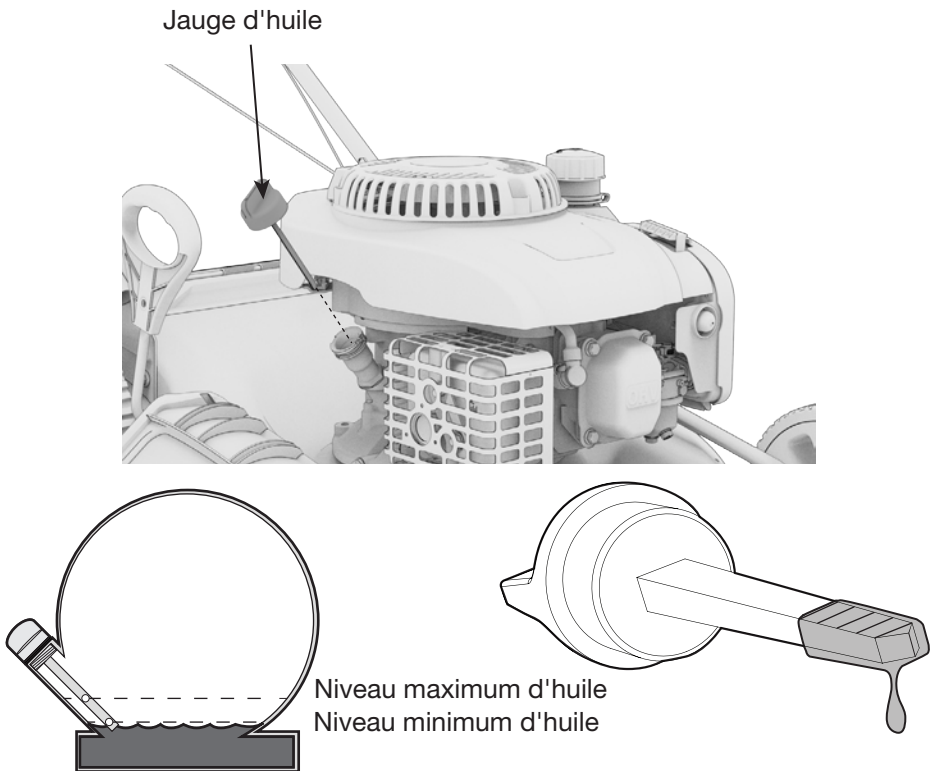
Ces vérifications rapides doivent être effectuées à chaque démarrage de la tondeuse à gazon pour s'assurer de tirer le meilleur parti de la tondeuse à gazon.

Placer la tondeuse à gazon sur une surface plane et mettre l'interrupteur en position ARRÊT.

⚠ AVERTISSEMENT!

Les gaz d'échappement contiennent du monoxyde de carbone toxique. Ne jamais faire fonctionner la tondeuse à gazon dans un endroit fermé. Toujours assurer une ventilation adéquate. Faire fonctionner la tondeuse à gazon sur une surface plane. Si la tondeuse à gazon est inclinée, le carburant pourrait se répandre. Se tenir à l'écart des pièces en rotation lorsque la tondeuse à gazon est en marche. La tondeuse à gazon est refroidie à l'air et peut être endommagée si la ventilation est insuffisante.

4.1 VÉRIFIER LE NIVEAU D'HUILE



1. S'assurer que la tondeuse à gazon se trouve sur une surface plane.
2. Dévisser et nettoyer la jauge d'huile.

3. Vérifier le niveau d'huile en remettant la jauge d'huile en place sans la revisser. Retirer la jauge et examiner le niveau d'huile. Si le niveau est égal ou inférieur au niveau d'huile minimum indiqué sur la jauge, remplir jusqu'au niveau d'huile maximum indiqué.
4. Réinsérer la jauge et serrer fermement.

REMARQUE

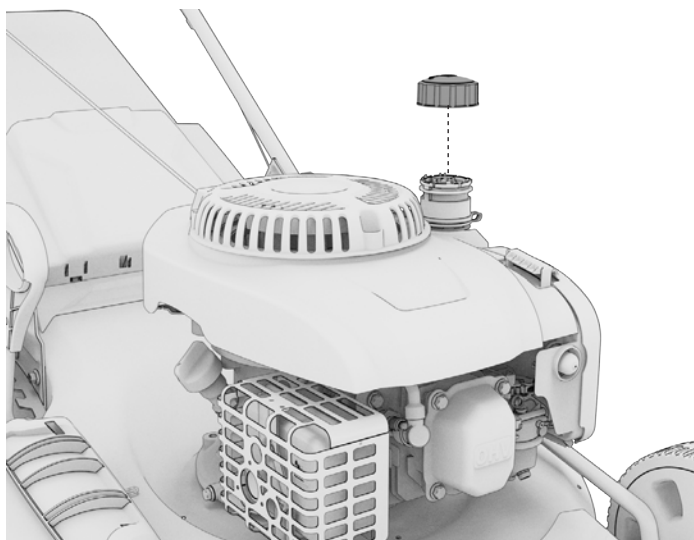
- Capacité d'huile maximale :
 - HH0403 : 400 mL
 - BM1740 : 400 mL
 - BLM2050E : 400 mL
- Huile SAE10W-30 est recommandée pour l'utilisation générale.
- NE PAS SURREMPLIR.

4.2 VÉRIFICATION DU NIVEAU DE CARBURANT

⚠ AVERTISSEMENT!

L'essence est hautement inflammable et explosive dans certaines conditions. Faire le plein dans un endroit bien ventilé, avec le moteur à l'arrêt. Ne pas fumer ni laisser de flamme nue ou d'étincelles dans la zone où la tondeuse à gazon est ravitaillée ni à l'endroit où le carburant est remisé. Ne pas trop remplir le réservoir. Faire attention à ne pas renverser de carburant lors du ravitaillement. Essuyer l'essence renversée et laisser la zone sécher avant de démarrer le moteur.

Les substituts de l'essence tels que l'alco-essence ne sont pas recommandés. Ils peuvent être nocifs pour les composants du système de carburant.



1. Vérifier le niveau de carburant en retirant le bouchon du réservoir pour contrôler visuellement le niveau.
2. Ajoutez du carburant avec précaution. Ne pas remplir au-delà de la base du goulot de carburant.
3. Bien serrer le bouchon du réservoir après le ravitaillement.

REMARQUE

- Utiliser uniquement de l'essence sans plomb (87 octane ou supérieur).
- Ne jamais utiliser d'essence périmée ou contaminée, ou un mélange d'huile et d'essence.
- Éviter de faire entrer de la saleté ou de l'eau dans le réservoir de carburant.
- Ne pas utiliser un mélange d'essence contenant du méthanol. Cela entraînera de graves dommages au moteur.
- L'utilisation d'une essence dont la teneur en éthanol est supérieure à 10 % peut endommager le moteur et le système d'alimentation en carburant et annule la garantie du fabricant.

5. DÉMARRER LE MOTEUR

⚠ DANGER	
Utilise un moteur à l'intérieur VOUS TUERA EN QUELQUES MINUTES . L'échappement des moteurs contient du monoxyde de carbone. Un gaz toxique que vous ne pouvez ni voir ni sentir.	
NE JAMAIS utiliser à l'intérieur d'une maison ou d'un garage! MÊME SI les portes et fenêtres sont ouvertes.	Utiliser seulement à L'EXTÉRIEUR , et loin des fenêtres, des portes et des bouches d'air.
Éviter d'autres dangers associés aux moteurs. LIRE LE MANUEL AVANT D'UTILISER L'APPAREIL.	

⚠ DANGER! ⚠

L'utilisation d'un tondeuse à gazon à l'intérieur vous tuera en quelques minutes.

Échappement de la tondeuse à gazon contient des niveaux élevés de monoxyde de carbone (CO), un gaz toxique vous ne pouvez pas voir ni sentir.

Si vous pouvez sentir l'échappement de la tondeuse à gazon vous respirez du CO Mais même si vous ne pouvez pas sentir les gaz d'échappement, vous pourriez être respirez du CO NE JAMAIS utiliser un tondeuse à gazon dans les maisons, les garages, les vides sanitaires, ou d'autres zones partiellement clos. Des niveaux mortels de monoxyde de carbone peuvent s'accumuler dans ces domaines. L'utilisation d'un ventilateur ou d'ouvrir les fenêtres et les portes ne fournit pas assez d'air frais.

Utilisez UNIQUEMENT un tondeuse à gazon à l'extérieur et loin des fenêtres ouvertes, des portes et des événements. Ces ouvertures peuvent tirer dans échappement de la tondeuse à gazon. Même lorsque vous utilisez un tondeuse à gazon correctement, le CO peut s'infiltrer dans la maison. Toujours utiliser un détecteur de CO à piles ou à batterie de secours dans votre maison.

Si vous commencez à vous sentir malade, étourdi, ou faible après le tondeuse à gazon a fonctionné, déplacer à l'air frais immédiatement. Consulter un médecin. Vous pourriez avoir une intoxication au monoxyde de carbone.

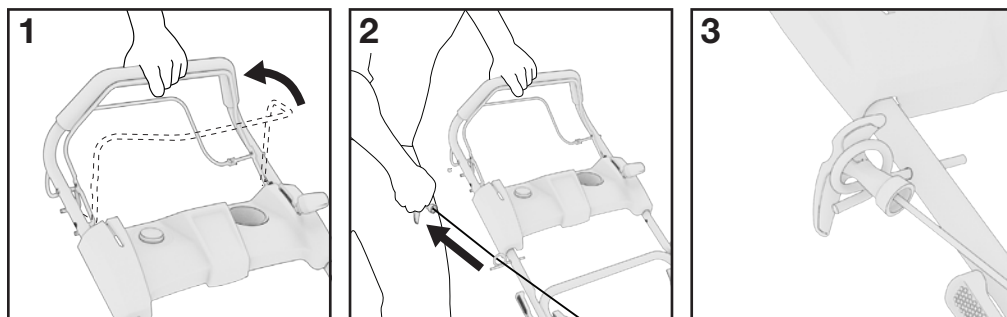
REMARQUE

- BM1740, BLM2050E et HH0403 N'ONT PAS d'ampoule d'amorçage incluse.

5.1 DÉMARRAGE À REcul MANUEL

⚠ AVERTISSEMENT!

Assurez-vous que la lame de la tondeuse à gazon est bien fixée avant de démarrer le moteur. La lame commencera à tourner dès que le moteur sera démarré.

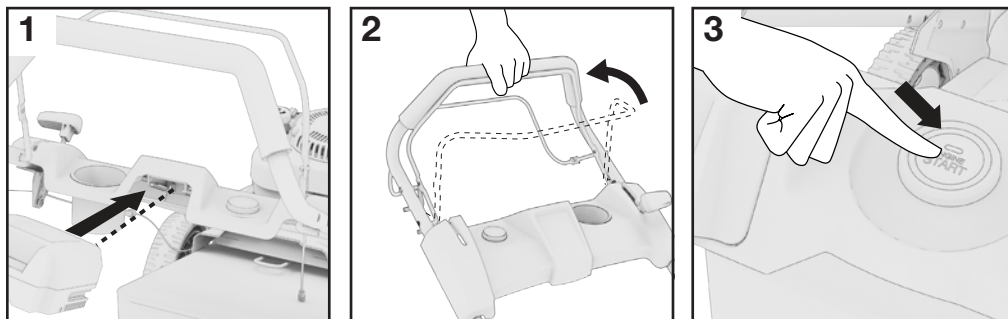


1. Tenez-vous derrière la tondeuse et tirez d'une main le levier d'alimentation vers la poignée.
2. Placez l'autre main sur la poignée de démarrage. Tirez sur la poignée de démarrage jusqu'à ce que vous sentiez une résistance, puis démarrez le moteur d'un coup sec.
3. Remettez lentement la poignée de recul en place.

REMARQUE

- Ramenez lentement la poignée de recul à la main, ne pas la laisser revenir en arrière.
- Avant de démarrer, assurez-vous que le capuchon de la bougie est connecté à la bougie et que le moteur est suffisamment rempli d'huile et d'essence..

5.2 DÉMARRAGE ÉLECTRIQUE (BLM2050E SEULEMENT)



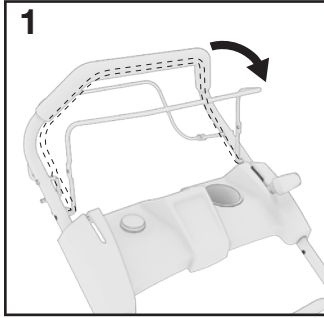
1. Insérez une batterie complètement chargée.
2. Maintenez le levier d'alimentation contre la poignée.
3. Maintenez le bouton de démarrage enfoncé jusqu'à 5 secondes jusqu'à ce que le moteur démarre.

REMARQUE

- Lors de l'utilisation d'une batterie neuve ou d'une batterie stockée, chargez la batterie avant de l'utiliser.

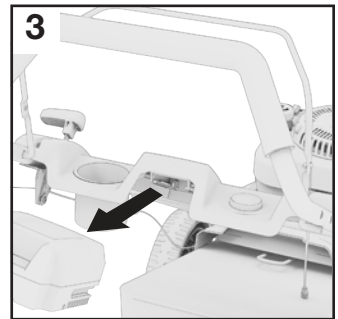
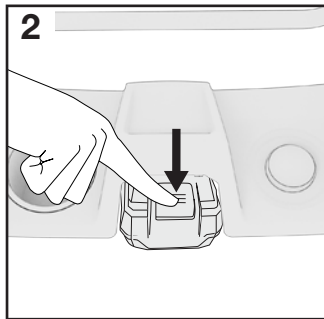
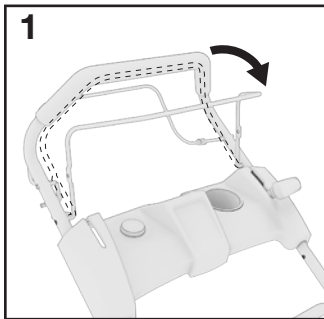
6. ARRÊT DU MOTEUR

BM1740, HH0403



1. Relâchez le levier d'alimentation. Il reviendra à sa position initiale et le moteur s'éteindra automatiquement.

BLM2050E



1. Relâchez le levier d'alimentation. Il reviendra à sa position initiale et le moteur s'éteindra automatiquement.
2. Retirez la batterie de démarrage électrique en appuyant sur le bouton de déverrouillage.
3. Faites glisser la batterie et rangez-la dans un endroit sec et bien aéré.

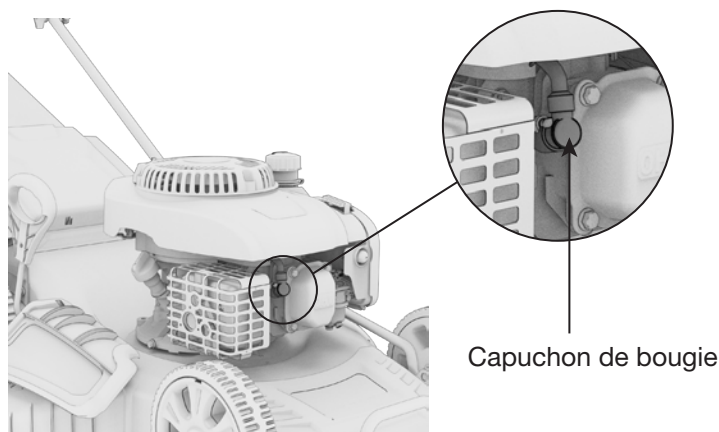
REMARQUE

- La batterie peut être chaude, ne pas la toucher tant qu'elle n'a pas refroidi.

7. UTILISATION DE VOTRE TONDEUSE À GAZON

7.1. NETTOYER LE MOTEUR INONDÉ

Si le moteur ne démarre pas après avoir effectué plusieurs fois la procédure de démarrage, le moteur peut être noyé par un excès de carburant. Utilisez les étapes suivantes pour nettoyer et démarrer un moteur noyé.



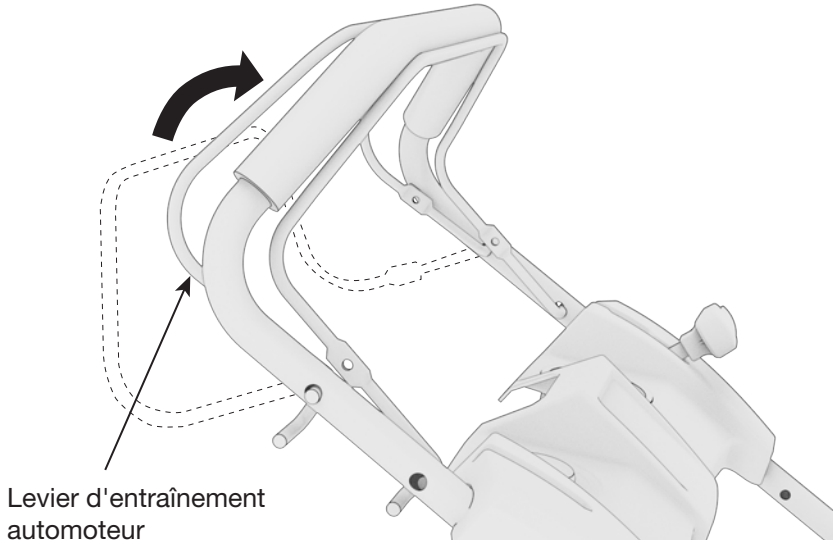
1. Relâchez le levier d'alimentation.
2. Retirez le capuchon de la bougie.
3. Retirez la bougie, séchez-la, puis réinstallez-la.
4. Effectuez la procédure de démarrage décrite à la section 5.

REMARQUE

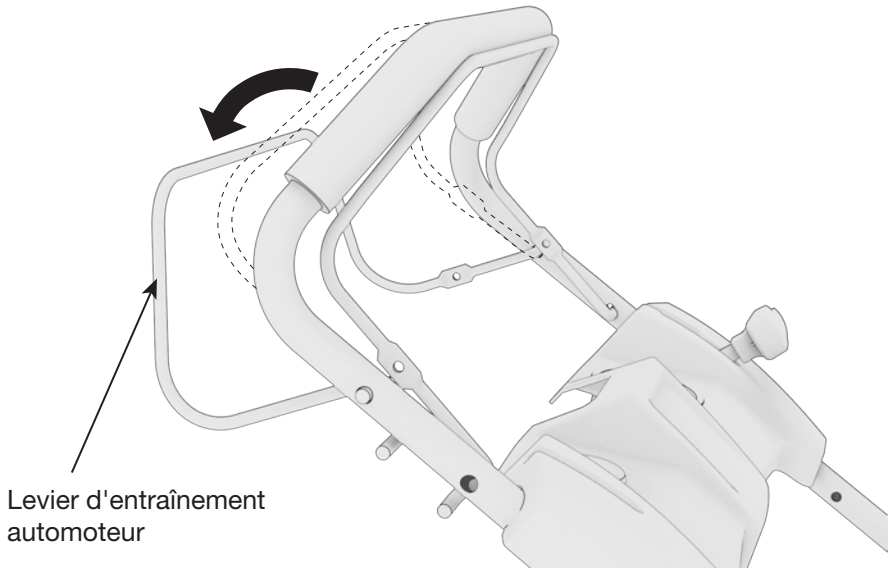
- Installez soigneusement la bougie à la main pour éviter de fausser le filetage. Une fois la bougie en place, serrez de 1/8 à 1/4 de tour avec la clé à douille de la bougie pour comprimer la rondelle. Relâchez le levier de puissance.

7.2. UTILISATION DE LA FONCTION AUTOMOTRICE (BM1740, BLM2050E SEULEMENT)

Les BM1740 et BLM2050E sont équipés d'un système automoteur. Lorsque vous engagez le levier de commande automoteur alors que le moteur tourne, la tondeuse à gazon commence à avancer.

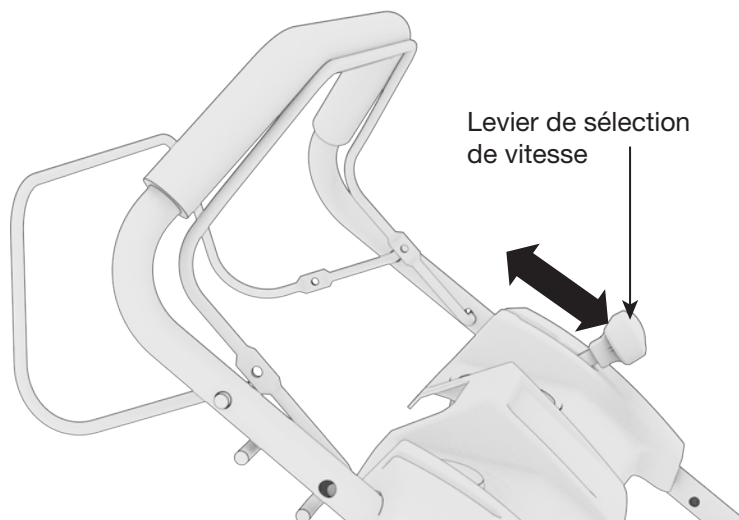


Pour arrêter de déplacer la tondeuse à gazon, relâchez simplement le levier d'entraînement automoteur.



Réglage de la vitesse

Une fois le moteur en marche, sélectionnez la vitesse de conduite 1, 2 ou 3, pour régler les différentes vitesses de propulsion.



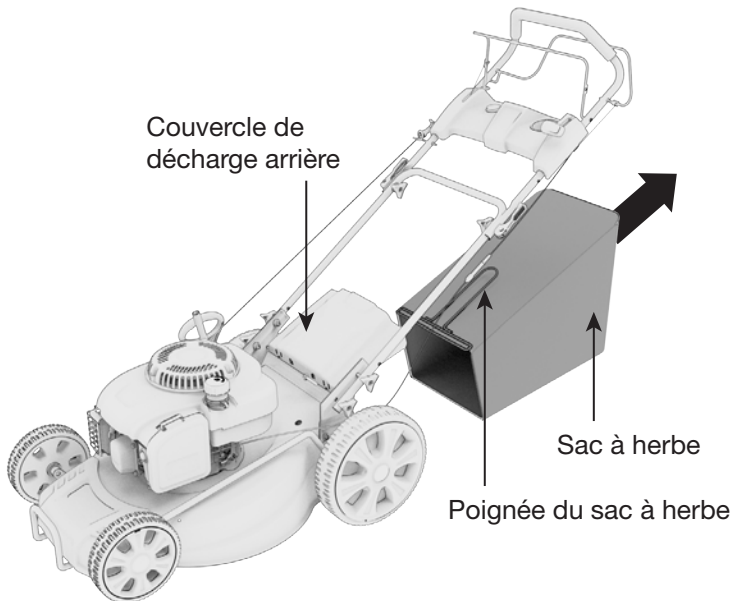
7.3 VIDER LE SAC À HERBE

⚠ AVERTISSEMENT!

Avant de retirer le sac à herbe, éteignez le moteur et attendez que la lame s'arrête.

Si des résidus d'herbe sont coincés dans la chute de décharge, nettoyez-les à l'aide d'une brosse. Ne pas enlever les débris d'herbe dans le boîtier de la tondeuse ou sur la lame à la main ou avec les pieds. Utilisez plutôt des outils appropriés tels qu'une brosse ou un balai. Pour s'assurer que l'herbe coupée peut être collectée dans le sac à herbe, l'ouverture de la chute et l'intérieur du boîtier de la tondeuse doivent être dégagés de tout blocage.

Dès que l'herbe coupée commence à traîner derrière la tondeuse à gazon, il est temps de vider le sac à herbe.



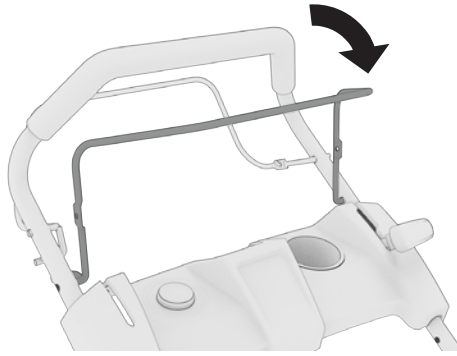
1. Utilisez une main pour soulever le couvercle de la chute arrière et l'autre pour prendre la poignée du sac à herbe pour le retirer. Le couvercle de la chute arrière tombera automatiquement après avoir retiré le sac à herbe, en fermant l'ouverture de la chute arrière.
2. Videz les débris d'herbe dans le sac à herbe et réinstallez le sac à herbe.

7.4 STOCKAGE VERTICAL

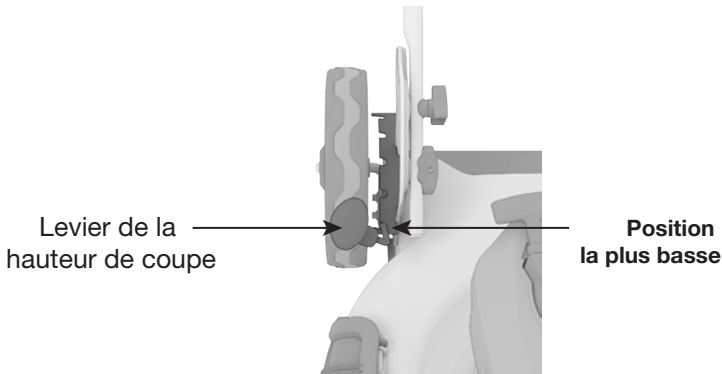
⚠ AVERTISSEMENT!

Faites très attention, lorsque vous pliez une partie de la poignée, à ne pas tirer ou pincer les câbles ou les fils de commande.

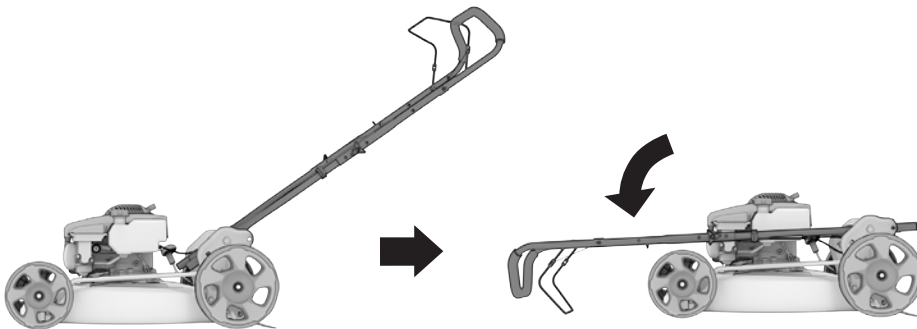
1. Assurez-vous que le levier d'alimentation est relâché et que les lames ont arrêté de tourner.



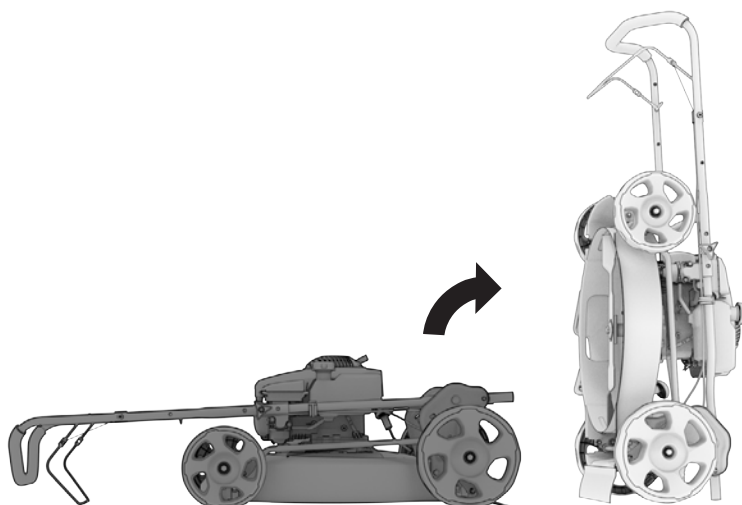
2. Régler le levier de hauteur de coupe sur la position la plus basse.



3. Relâchez la poignée de la position verticale. Rabattez-la et verrouillez-la en position de rangement verticale.



- Inclinez la tondeuse à gazon à la verticale.



REMARQUE

- Lisez le chapitre Transport et stockage si vous stockez pendant plus d'un mois.

7.5 CONSEILS DE TONTE

REMARQUE

- Maintenez une prise ferme sur la poignée supérieure, avec le levier de puissance et le levier d'entraînement automoteur fermés, et marchez avec la tondeuse pour commencer à tondre.
- Marchez, ne jamais courir avec la tondeuse, soyez très prudent lorsque vous tondez un sol inégal ou accidenté.
- Tondez en travers des pentes, jamais de haut en bas.
- Soyez prudent lorsque vous changez la direction de la tondeuse sur une pente.
- Ne pas tondre des pentes trop raides.
- Le meilleur résultat sera obtenu si l'herbe est sèche. L'herbe mouillée aura tendance à obstruer la lame et le système de ramassage de l'herbe.
- L'herbe pousse à des rythmes différents à différents moments de l'année. Ne jamais utiliser la hauteur de coupe la plus basse pour la première coupe de la saison ou dans des conditions de sécheresse.
- Seulement environ un tiers de la hauteur de l'herbe doit être coupé.
- Lors de la tonte avec paillage, pour s'assurer que l'herbe coupée peut être dispersée efficacement, ne pas couper l'herbe haute ou mouillée. Lorsque vous coupez depuis plusieurs minutes, arrêtez la tondeuse et nettoyez la lame et le carter.
- Ne pas enlever les débris d'herbe dans le boîtier de la tondeuse ou sur la lame à la main ou avec les pieds. Utilisez plutôt des outils appropriés tels qu'une brosse ou un balai.

8. ENTRETIEN

Un entretien approprié permet de maintenir la tondeuse à gazon dans les meilleures conditions de fonctionnement en assurant un fonctionnement sûr, économique et sans problème. N'utiliser que des pièces d'origine et des liquides recommandés pour remplacer les composants usés. Un mauvais entretien peut entraîner un dysfonctionnement de la tondeuse à gazon et peut causer des blessures graves. Contacter le service à la clientèle en cas de questions concernant l'entretien.

Conseils pour l'inspection générale

- Recherchez les fuites de carburant autour du réservoir de carburant et réparez immédiatement si vous en trouvez.
- Recherchez et écoutez les fuites d'échappement pendant que le moteur tourne. Faites réparer toutes les fuites avant de poursuivre l'opération

- Vérifiez la saleté et de débris et nettoyez si nécessaire.
- Vérifiez le niveau d'huile moteur et ajoutez de l'huile si nécessaire.
- Nettoyez toujours votre tondeuse à gazon immédiatement après utilisation.
- Ne pas laisser l'herbe coupée et d'autres débris devenir secs et durs sur les surfaces de la tondeuse. Les restes d'herbe séchée et la saleté peuvent gêner l'opération de tonte.
- Vérifiez que la chute à herbe est exempte d'herbe résiduelle.
- Inclinez la tondeuse à gazon sur son côté gauche (à l'opposé du goulot de remplissage d'huile) pour vérifier le dessous de la tondeuse à gazon et le support de lame.

8.1 CALENDRIER D'ENTRETIEN

Entretien de la tondeuse à gazon conformément au programme d'entretien de cette section.

REMARQUE

- Entretien plus fréquemment lorsque l'appareil est utilisé dans des zones poussiéreuses.
- Ces articles doivent être entretenus par un centre de service autorisé, à moins de disposer d'outils appropriés et de posséder des compétences en mécanique. Consulter le guide des procédures de service.

Journalière
Inspection générale Inspecter le niveau d'huile de lubrifiant moteur Inspectez le filtre à air
Premières 5 heures
Remplacer l'huile de lubrification du moteur
Chaque 12 heures
Inspecter le niveau d'huile de lubrifiant moteur Vérifiez et nettoyez le filtre à air ¹ Inspecter/nettoyer la bougie d'allumage
Chaque 36 heures
Remplacer l'huile de lubrification du moteur Remplacer la bougie d'allumage Remplacer le filtre à air Inspecter/remplacer les lames ³
Chaque 300 heures
Nettoyer la chambre de combustion ³ Inspecter/ajustement du dégagement de la soupape ³ Nettoyer le réservoir de carburant et crépine Inspecter/remplacer les lames ³

¹ Remplacez s'il ne peut pas être nettoyé adéquatement

² Changez l'huile après chaque 100 heures ou chaque année, selon la première de ses éventualités. Entretenez plus souvent si les charges sont lourdes, ou dans des températures élevées.

³ Il est recommandé que l'entretien soit fait par un professionnel autorisé.

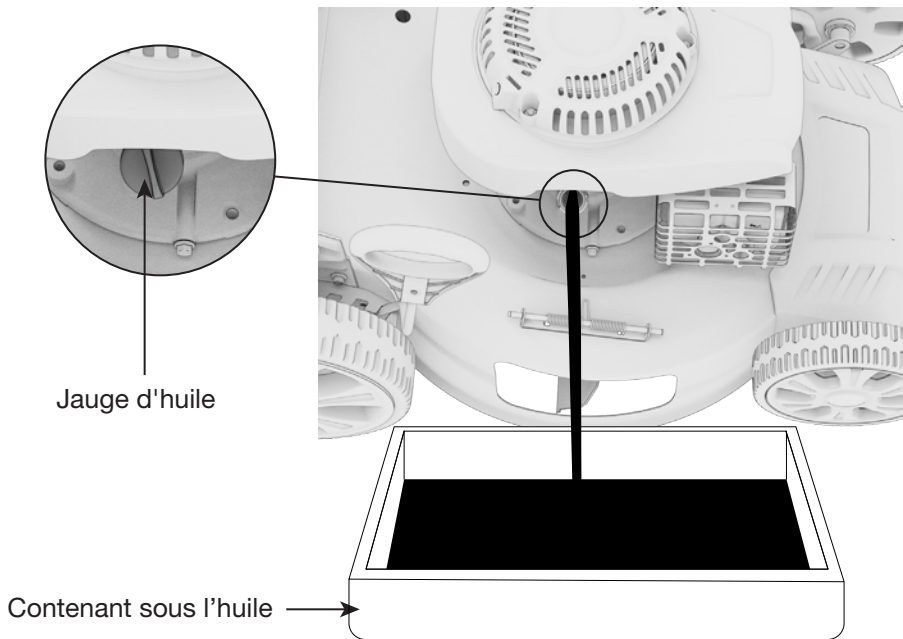
8.2 CHANGER L'HUILE À MOTEUR

⚠ AVERTISSEMENT!

L'huile de moteur usagée peut provoquer des irritations cutanées si elle est en contact prolongé avec la peau. Laver soigneusement l'huile usagée le plus tôt possible à l'eau et au savon.

Ne pas jeter l'huile usagée dans les égouts ni sur le sol. Les magasins de services locaux proposent des méthodes d'élimination respectueuses de l'environnement.

Vidanger l'huile rapidement et complètement sur une surface plane alors que le moteur est encore chaud.

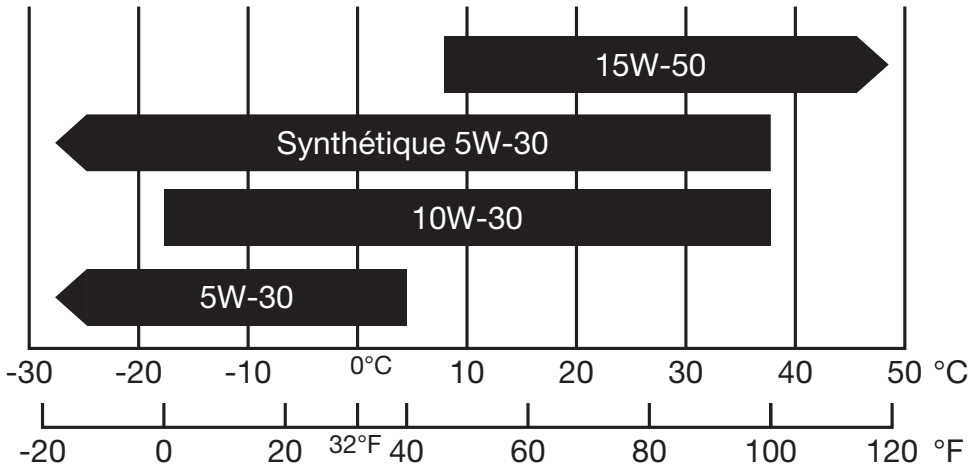


1. Inclinez la tondeuse à gazon vers le bac de récupération d'huile. Préparez un récipient pour recueillir l'huile et retirez la jauge.
2. Une fois l'huile vidée, remettez la tondeuse à gazon à niveau et essuyez tout déversement.
3. Remplir le moteur avec de l'huile neuve (huile de moteur à 4 temps SAE 10W-30) jusqu'à la marque maximale de la jauge sans la remettre en place. Ne pas trop remplir le réservoir d'huile. Utiliser un entonnoir pour éviter les déversements.
4. Réinstaller la jauge de remplissage d'huile et la fixer solidement.

REMARQUE

- Capacité d'huile maximale :
 - HH0403 : 400 mL
 - BM1740 : 400 mL
 - BLM2050E : 400 mL
- Huile SAE10W-30 est recommandée pour l'utilisation générale.
- NE PAS SURREMPLIR.

Gamme de Viscosité Effectif des Huiles du Moteur



- Ne pas incliner la tondeuse à gazon lors de l'ajout de l'huile à moteur. Cela pourrait entraîner un remplissage excessif et endommager le moteur.
- L'utilisation d'une huile non détergente ou d'une huile pour moteur à deux temps pourrait réduire la durée de vie du moteur.
- Utiliser une huile à moteur de haute qualité avec des détergents puissants.
- Manipuler et stocker l'huile à moteur avec précaution, en évitant d'y faire entrer de la saleté ou de la poussière.
- Ne pas mélanger différentes huiles à moteur.
- Avant que l'huile du moteur descende en dessous de la marge de sécurité, le système d'alerte de bas niveau d'huile arrête automatiquement le moteur. Le voyant de bas niveau d'huile s'allumera.
- Utiliser une huile pour moteur à quatre temps, certifiée conforme ou supérieure aux normes API SG, SF, SAE.

8.3 CLEANING THE AIR-FILTER

⚠ AVERTISSEMENT!

L'utilisation d'essence ou d'autres solvants inflammables peut provoquer un incendie ou une explosion. Ne pas utiliser ce produit sans filtre à air.

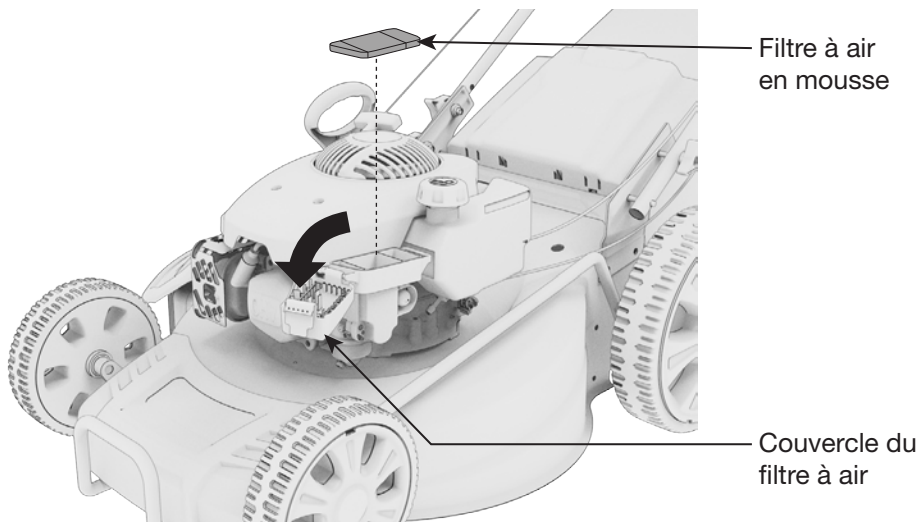
Ne pas utiliser d'air sous pression ou de solvants pour nettoyer le filtre. L'air sous pression peut endommager le filtre et les solvants dissoudront le filtre.

Un filtre à air sale limitera le flux d'air dans le carburateur. Nettoyer et entretenir régulièrement le filtre à air, en particulier dans les zones poussiéreuses.

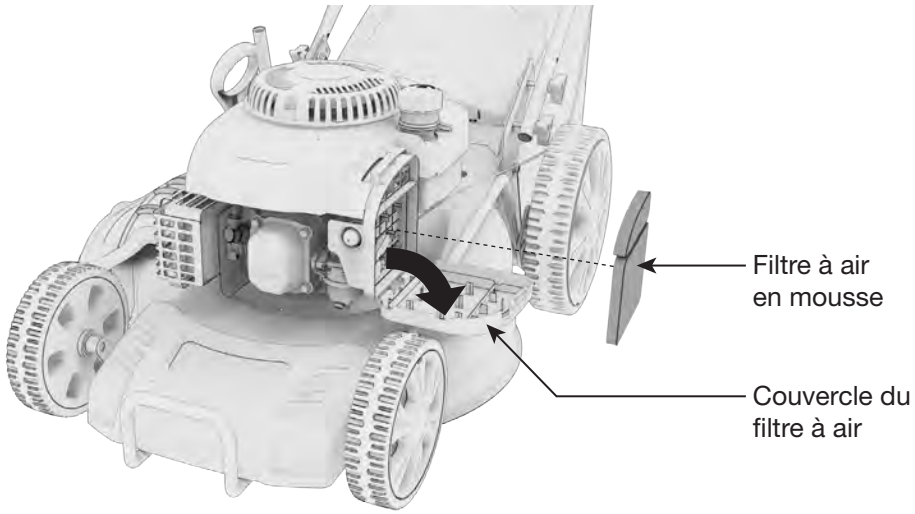
REMARQUE

- Ne jamais faire fonctionner la tondeuse à gazon sans filtre à air, car cela dégraderait rapidement le moteur.

BM1740, HH0403



BLM2050E



1. Desserrez l'écrou et retirez le couvercle du filtre à air. Retirez le boîtier et les éléments du filtre à air et vérifiez leur propreté.
2. Nettoyez le filtre à air en *mousse* avec de l'eau savonneuse ou un solvant et laissez sécher.
3. Trempez le filtre en *mousse* dans de l'huile à moteur propre.
4. Essorez doucement, puis épongez tout excédent d'huile et réinstallez le filtre.
5. Remplacez l'un ou l'autre des filtres s'il est endommagé.

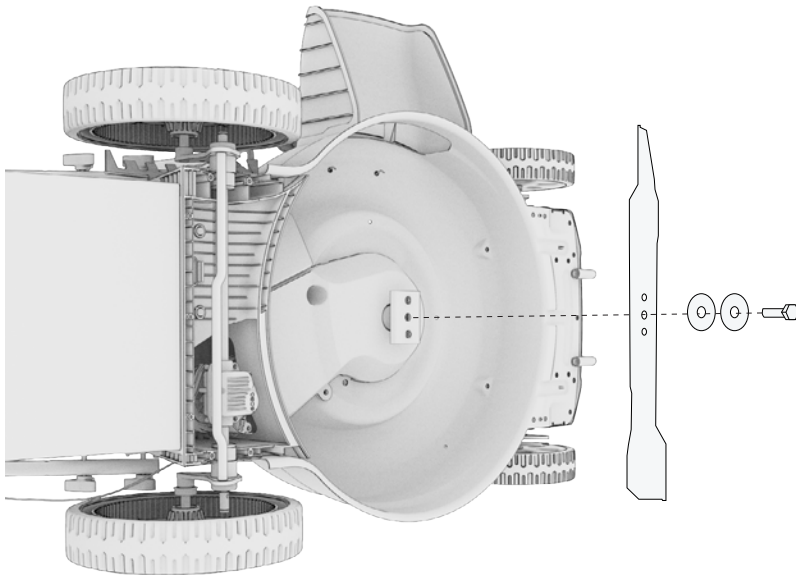
8.4 REMPLACEMENT DE LA LAME

⚠ AVERTISSEMENT!

L'huile moteur usagée peut provoquer des irritations cutanées si elle est laissée en contact prolongé avec la peau. Lavez soigneusement l'huile usagée dès que possible avec de l'eau et du savon.

Utilisez toujours des gants et manipulez la lame avec précaution, les bords tranchants peuvent causer des blessures. **NE PAS** tenir directement la lame à la main. Si la lame s'est excessivement usée et devient piquée et émoussée, elle doit être remplacée ou affûtée. Le tranchant de la lame affectera les performances de la tondeuse à gazon. Remplacez immédiatement toute lame fissurée ou endommagée.

Pour des raisons de sécurité, nous recommandons que la lame ne soit changée que par une personne qualifiée et autorisée.



1. Arrêtez le moteur et attendez que la lame s'arrête complètement.
2. Tenez la lame et dévissez le boulon de la lame dans le sens antihoraire à l'aide d'une clé à molette (non incluse).
3. Retirez la rondelle et la lame.
4. Installez une nouvelle lame ou réaffûtez la lame, placez la lame sur les deux goujons sur le flan de lame, puis remplacez la rondelle et les boulons.
5. Assurez-vous que la lame est correctement positionnée, puis serrez fermement le boulon. **NE PAS** trop serrer. La rotation vers le haut de la lame doit faire saillie dans le compartiment moteur.

8.5 SERVICE DE BOUGIE D'ALLUMAGE

REMARQUE

- Ne pas rincer la bougie d'allumage à l'eau. Suivre les instructions et veiller à ne pas trop serrer la bougie d'allumage.

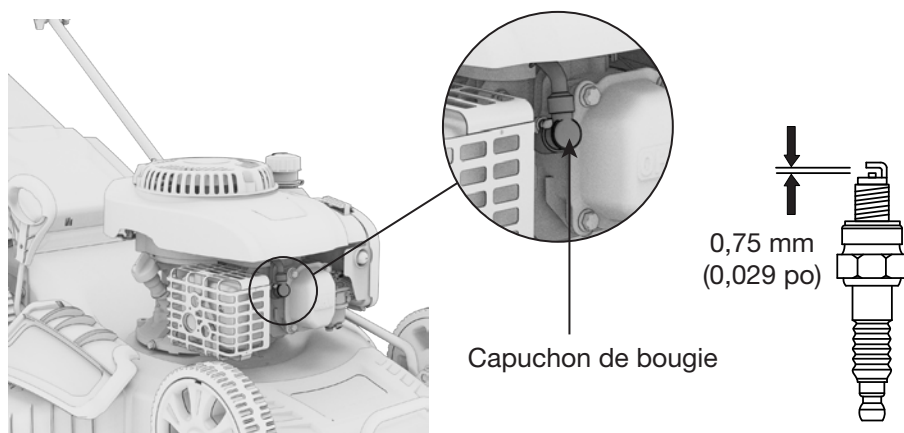
Bougie d'allumage recommandée:

- HH0403: F6TC
- BM1740: F6TC
- BLM2050E: F7TC

Vérifier l'écartement de la bougie et nettoyer les dépôts de carbone au fond de la bougie d'allumage.

Serrer d'un demi-tour une nouvelle bougie d'allumage lors de son installation.

Serrer d'un huitième ou d'un quart de tour lors de la réinstallation d'une vieille bougie d'allumage.



1. Retirer le capuchon de bougie.
2. Retirer la bougie d'allumage à l'aide de la clé à bougie.
3. Inspecter visuellement la bougie d'allumage. Remplacer par un nouveau bouchon si l'isolation est fissurée ou écaillée. Nettoyer à l'aide d'une brosse métallique si la bougie d'allumage est réutilisée.
4. Mesurer l'écart des bougies d'allumage avec une jauge d'épaisseur. La valeur normale est : 0,7-0,8 mm (0,028-0,031 po). Ajuster l'écartement en pliant soigneusement l'électrode.
5. Réinstaller soigneusement la bougie à la main, pour éviter le croisement des fils. Une nouvelle bougie d'allumage doit être serrée d'un demi-tour

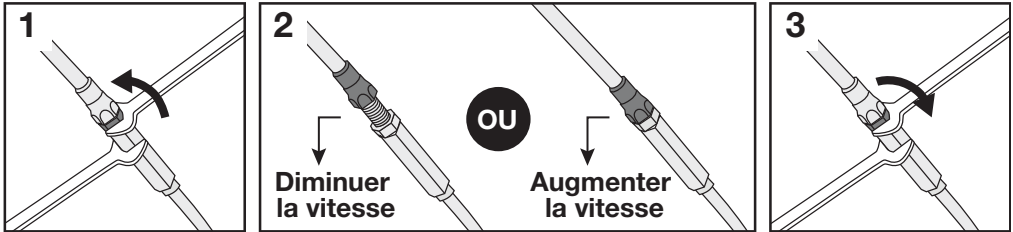
avec une clé. Une bougie d'allumage usagée doit être serrée d'un huitième ou d'un quart de tour avec une clé.

6. Replacer le capuchon de bougie d'allumage.

REMARQUE

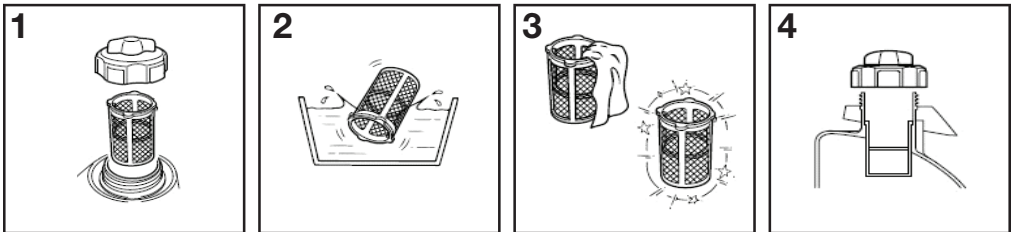
- La bougie d'allumage doit être bien serrée, sinon elle risque de chauffer suffisamment pour endommager le moteur.
- Ne jamais utiliser une bougie d'allumage selon une plage de température inappropriée.

8.6 RÉGLAGE DU CÂBLE DE VITESSE



1. Desserrez l'écrou central.
2. Pour diminuer la vitesse, dévissez le boulon pour allonger le câble. Pour augmenter la vitesse, revissez le boulon dans l'écrou pour raccourcir le câble. Cela ne sera possible que si la vitesse a été diminuée auparavant.
3. Serrez l'écrou central pour fixer la longueur du boulon de réglage.

8.7 ENTRETIEN DES FILTRES À CARBURANT



1. Retirer le bouchon du réservoir de carburant et le filtre.
2. Nettoyer le filtre avec du solvant.
3. Essuyer le filtre.
4. Remettre le filtre en place.

8.8 SYSTÈME DE CONTRÔLE DES ÉMISSIONS

Source des émissions

Les gaz d'échappement contiennent de l'oxyde de carbone, des protoxydes d'azote (NOx) et des hydrocarbures. Il est très important de contrôler les émissions de protoxyde d'azote et d'hydrocarbures car elles contribuent énormément à la pollution de l'air. L'oxyde de carbone est un gaz toxique. Les émissions de vapeur de carburant sont aussi une source de pollution. Le moteur de la génératrice utilise un ratio précis air-carburant et le système de contrôle des émissions pour réduire celles de l'oxyde de carbone, NOx, hydrocarbures et émissions de carburant évaporé.

Règlement

Votre moteur a été conçu pour répondre aux normes d'air pur de l'Environmental Protection Agency (EPA) et du California Air Resource Board (CARB). Les règlements imposent que le fabricant fournisse les normes de fonctionnement et d'entretien pour les systèmes de contrôle des émissions. Le réglage de ces spécifications est fourni par la section Spécifications et une description du système de contrôle des émissions peut être trouvée dans l'annexe de ce Manuel.

L'adhésion aux instructions suivantes vous assurera d'un parfait contrôle des émissions.

Modification

Modifier le système de contrôle d'émission peut mener à une augmentation des émissions. Une modification est définie comme suit :

- Démontez ou modifiez la fonction ou partie du système de consommation, de carburant ou de sortie.
- Modifiez ou détruisez la fonction de gouvernance de la vitesse du tondeuse à gazon.

Les Défauts du Moteur Pouvant Affecter L'émission

Chacun des défauts ci-dessous doit être immédiatement réparé. Voyez avec votre Centre de service agréé pour le diagnostic et les réparations.

- Difficulté au démarrage ou arrêt après démarrage
- Vitesse au ralenti instable
- S'arrête ou pétarade après application d'une charge électrique.
- Pétarade
- De la fumée noire et/ou une consommation excessive de carburant.

Pièces de Rechange et Accessoires

Les pièces nécessaires au système de contrôle des émissions de votre moteur ont été spécialement approuvées et certifiées par les agences de réglementation. Vous pouvez être sûr que les pièces fournies par le service à la clientèle ont été fabriquées selon les mêmes normes que les pièces d'origine. L'utilisation de pièces de rechange ou d'accessoires qui ne sont pas conçues par le fabricant peut affecter négativement les performances du système. Il ne faut donc utiliser que les pièces et accessoires provenant d'un service qualifié pour garantir que les produits de remplacement n'affecteront pas de façon négative les performances des émissions.

Les pièces de rechange autres que celles provenant d'un centre de service agréé annuleront la garantie.

8.9 MODIFICATION DU CARBURATEUR POUR UN FONCTIONNEMENT EN HAUTE ALTITUDE (AU-DESSUS DE 2.000 PIEDS)

REMARQUE

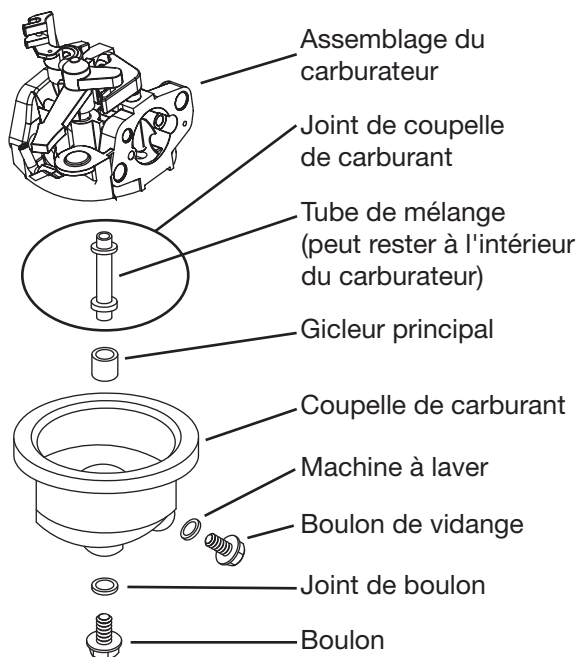
- Ce moteur est équipé pour fonctionner à des altitudes inférieures à 2.000 pieds.
- Un gicleur principal de haute altitude est recommandé lorsque utilisé entre 2.000 et 7.000 pieds au-dessus du niveau de la mer.
- À des altitudes supérieures à 7.000 pieds, le moteur pourrait subir une diminution de performance, même avec un gicleur principal de haute altitude.

Les hautes altitudes enrichissent le mélange air/carburant du carburateur, ce qui entraîne une consommation de carburant plus élevée, performances inférieures, et une accumulation de carbone sur la bougie d'allumage. D'autre part, si le carburateur a été modifié pour un fonctionnement à haute altitude, et il est utilisé en dessous de 2000 pieds, le mélange air/carburant sera alors trop pauvre pour une utilisation à basse altitude. Utilisez toujours le gicleur principal adapté à votre altitude.

Le carburateur du moteur, le régulateur (le cas échéant) et toutes les autres pièces qui contrôlent le rapport air/carburant devront être ajustés par un mécanicien qualifié pour permettre une utilisation efficace à haute altitude, et pour éviter d'endommager le moteur. Le système de carburant peut être influencé par un fonctionnement à des altitudes plus élevées.

- La cuve du carburateur peut contenir du gaz qui fuira lors du retrait du boulon.

- Le tube de mélange est maintenu en place par le gicleur principal et peut tomber lorsqu'il est retiré. S'il tombe, remplacez-le de la même manière avant de remplacer le gicleur principal.
- Le joint de coupelle de carburant et le joint de boulon peuvent être endommagés lors de leur démontage, et doivent être remplacés par des neufs.



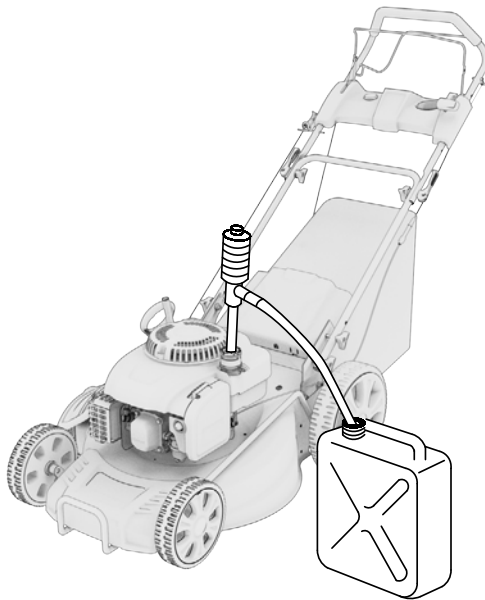
1. Éteignez le moteur.
2. Fermez le robinet de carburant.
3. Placez un bol sous la coupelle de carburant pour récupérer tout carburant renversé.
4. Dévissez le boulon maintenant la coupelle de carburant.
5. Retirez le boulon, le joint de boulon, la coupelle de carburant, le joint de coupelle de carburant, et le gicleur principal du corps de l'ensemble carburateur. Un tournevis de carburateur (non inclus) est nécessaire pour retirer et installer le gicleur principal.
6. Remplacez le gicleur principal par le gicleur principal de remplacement nécessaire pour votre plage d'altitude.
7. Remplacez le joint de la coupelle de carburant, la coupelle de carburant, le joint de boulon et le boulon. Serrer en place. Ne croisez pas le filetage du boulon lors du serrage. Serrez d'abord à la main, puis utilisez une clé pour vous assurer que le boulon est correctement fileté.
8. Essuyez tout carburant renversé et laissez l'excédent s'évaporer avant de démarrer le moteur. Pour éviter un INCENDIE, ne démarrez pas le moteur tant qu'une odeur de carburant flotte dans l'air.

9. TRANSPORT ET REMISAGE

Transport de la tondeuse à gazon

- Ne pas utiliser la tondeuse à gazon dans le véhicule. La tondeuse doit uniquement être utilisée dans un endroit bien aéré.
- Évitez d'exposer la tondeuse à gazon à la lumière directe du soleil pendant une période prolongée dans un véhicule fermé. La température élevée à l'intérieur du véhicule pourrait provoquer la vaporisation du carburant et entraîner une éventuelle explosion
- Vidanger le carburant et l'huile de la tondeuse à gazon avant de la transporter sur des routes accidentées.
- Vider le réservoir d'essence
- Retirez le capuchon de la bougie d'allumage.
- Nettoyez la tondeuse à gazon des débris.
- Utilisez l'emballage d'origine pour expédier dans la mesure du possible.

Vider le réservoir de carburant



1. Éteindre le moteur. Enlever le bouchon du réservoir.
2. Vider le réservoir de carburant à l'aide d'un siphon et d'un récipient à essence homologué.
3. Desserez le boulon de vidange du carburateur pour décharger toute l'essence de l'intérieur du carburateur.

Entreposage

L'essence peut s'oxyder en moins que 30 jours, ce qui provoque l'accumulation de gomme et de vernis dans les composants du système d'alimentation en carburant.

REMARQUE

- Vérifiez que le lieu d'entreposage n'a pas d'excès d'humidité ni de poussière.
- Vidangez le réservoir de carburant et le carburateur.
- Nettoyez la tondeuse à gazon des débris.

Duration d'entreposage	Préparation Requis
Moins que 1 ans	<ul style="list-style-type: none">■ Aucune préparation de stockage requise, simplement stocker tel quel.
1 mois à 1 ans	<ul style="list-style-type: none">■ Égoutter le vieux gaz et rempli complètement le réservoir avec du gaz frais avant de l'entreposer. Ajouter un stabilisateur de carburant selon les instructions du fabricant. L'ajout d'un stabilisateur de carburant de qualité peut maintenir le gaz frais jusqu'à un an.■ Retirez la batterie et chargez-la tous les 3 mois.
1 ans ou plus	<ul style="list-style-type: none">■ Vider l'essence du réservoir de carburant et l'entreposer dans un récipient approprié. Ceci aidera à prévenir la formation de dépôts dans le système d'alimentation en carburant.■ Change l'huile lorsque le moteur est encore chaud.■ Retirez la bougie et versez une cuillère à soupe d'huile moteur propre (10 ~ 20ml) dans le cylindre. Tourne le moteur plusieurs fois en tirant sur le début de recul pour distribuer l'huile. Réinstallez la bougie.■ Tirez lentement sur la poignée du démarreur jusqu'à ce que vous sentiez une résistance. À ce stade, le piston monte sur sa course de compression et les deux soupapes d'admission et d'échappement sont fermées. Cette position aide à protéger le moteur de la corrosion interne.

10. DÉPANNAGE

Problème	Cherchez la	Solution
Bruyant pendant le fonctionnement, la machine vibre fortement.	Les vis sont desserrées.	Vérifiez les fixations des lames.
	Les attaches de la lame sont desserrées.	Vérifiez les fixations des lames.
	La lame est déséquilibrée.	Remplacez la lame.
	Mauvaise connexion du circuit de la batterie.	Vérifiez et nettoyez la connexion du câblage.
Le moteur ne démarre pas.	Levier marche/arrêt non enfoncé.	Appuyez sur le levier marche/arrêt.
	La bougie est défectueuse.	Remplacer la bougie.
	La lame de coupe est-elle usée ou endommagée ?	Contactez un concessionnaire agréé pour la remplacer.
	Le réservoir de carburant est vide.	Remplissez de carburant.
	Le moteur peut être noyé.	Retirez le bouchon et sécher.
Le moteur tourne de manière instable.	Le filtre à air est sale.	Nettoyez le filtre à air.
	La bougie est sale.	Nettoyez la bougie.
Résultats de tonte irréguliers.	La lame est émoussée.	Aiguiser la lame.
	La hauteur de coupe est trop faible.	Régler la bonne hauteur.
Le bac à herbe n'est pas suffisamment rempli.	La lame est usée.	Remplacez la lame.
	Le sac à herbe est bouché.	Videz le sac à herbe.
	La hauteur de coupe est-elle correcte ?	Corrigez la hauteur de coupe.
	La pelouse/l'herbe est-elle mouillée ?	Laissez la pelouse sécher.
	Le canal/boîtier d'évacuation est-il bloqué ?	Nettoyez le canal/boîtier d'évacuation.
	Le dessous du plateau de coupe est-il obstrué ?	Nettoyez le dessous du plateau de coupe.

11. SPÉCIFICATIONS TECHNIQUES

	SPÉCIFICATIONS	HH0403	BM1740	BLM2050E
TONDEUSE À GAZON	HH Number	5124-044	5124-042	5124-041
	Fonctions	Sac / pailler / latérale	Sac / pailler / latérale	Sac / pailler / latérale
	Largeur du pont	22 po	22 po	22 po
	Largeur de coupe	21 po	21 po	21 po
	Hauteur de coupe minimale	1 po (25 mm)	1 po (25 mm)	1 po (25 mm)
	Hauteur de coupe maximale	3 po (75 mm)	3 po (75 mm)	3 po (75 mm)
	Réglage de la hauteur des poignées	3-position	3-position	3-position
	Réglage de la hauteur du pont	Seul levier, 8-position	Seul levier, 8-position	Seul levier, 8-position
	Lame	Droite	Droite	Droite
	Nombre de lames	1	1	1
	Bac à herbe	Sac en tissu	Sac en tissu	Sac en tissu
Roue avant / arrière	8 / 12 po	8 / 12 po	8 / 12 po	
MOTEUR	Type	3,8 HP, 4 temps, OVH, 1 seul cylindre, refroidissement à air pulsé	3,8 HP, 4 temps, OVH, 1 seul cylindre, refroidissement à air pulsé	5,2 HP, 4 temps, OVH, 1 seul cylindre, refroidissement à air pulsé
	Déplacement du moteur	173 cc	173 cc	200 cc
	RPM	2800	2800	2800
	Capacité de l'huile	400 mL / 14 oz. (10W30)	400 mL / 14 oz. (10W30)	400 mL / 14 oz. (10W30)
	Volume du réservoir d'essence	1 L / 0,3 Gal	1 L / 0,3 Gal	1,2 L / 0,3 Gal
Type de carburant	Essence sans plomb 87 octanes	Essence sans plomb 87 octanes	Essence sans plomb 87 octanes	
UNITÉ	Dimensions (L*I*H)	62 x 28 x 42,5 po	62 x 28 x 42,5 po	62 x 28 x 42,5 po
	Poids	70,4 lbs / 32 kg	72,6 lbs / 33 kg	81,4 lbs / 37 kg

12. TOUT SUR LA GARANTIE

Ce produit est distribué par :

Midland Power Inc.

376 Magnetic Drive, Toronto, ON M3J 2C4, Canada

Garantie

À compter du moment de l'achat et pour la durée de la période de garantie, Midland Power Inc. (Midland) garantit que l'équipement qu'elle fabrique sera exempt de défauts de matériaux et de fabrication. Midland remplacera ou réparera, à sa seule discrétion, toute pièce qui, après évaluation et test par Midland ou un centre de service agréé, présente un défaut de fabrication ou de matériel. Une preuve d'achat valide doit être soumise en ligne pour l'enregistrement auprès de Midland, ou présentée à Midland au moment de la réclamation, pour que la garantie soit valide. Cette garantie n'est pas transférable du propriétaire original.

Période de garantie limitée :

Usage non-commercial:

- Année 1, 2 et 3 - Pièces et travail
- Année 4 et 5 - Pièces

Usage commercial:

- 6 premiers mois - Pièces et travail

Les pièces de rechange vendues à un consommateur ou installées par un centre de service autorisé sont garanties pendant une période de 90 jours à compter de la date d'achat. La main-d'œuvre doit être effectuée par un centre de service autorisé à moins d'avoir obtenu l'approbation écrite préalable de Midland. Midland ne prendra en charge aucun frais de transport ou d'expédition vers ou depuis un centre de service autorisé. Les appels de service, les frais de déplacement, les heures supplémentaires ou les tarifs de fin de semaine ne sont pas couverts.

Cette garantie ne couvre PAS :

- a. Toute réparation requise suite à l'installation de toute pièce non fournie par Midland, où cette pièce est responsable de la panne ou du dysfonctionnement ;
- b. Tout Équipement modifié, altéré, démonté ou remodelé ;
- c. Toute réparation requise à la suite d'un défaut d'installation, d'entretien, de stockage, de transport ou d'exploitation de l'équipement conformément aux pratiques standard énoncées dans le guide de l'utilisateur ;
- d. Dommages survenus après la réception de l'équipement, non causés par des défauts de fabrication ou de matériel ;
- e. Les services d'entretien normaux, tels que décrits dans le guide de

l'utilisateur et destinés à être exécutés par un consommateur ;

- f. Remplacement des pièces effectuées dans le cadre des services d'entretien normaux, y compris les huiles, adhésifs, additifs, carburant, filtres, brosses, courroies, lubrifiants, bougies d'allumage, joints, joints, attaches, fils, tubes, tuyaux, raccords, roues, batteries, et autres consommables sensibles à l'usure naturelle ;
- g. Tout accessoire ou pièce jointe.

Toute batterie fournie avec cet équipement est considérée comme un article consommable et est exclue de cette garantie. Les batteries peuvent être endommagées par les chocs, les courts-circuits, la chaleur, les déversements d'acide, la négligence et d'autres facteurs. Il est la responsabilité du client de faire très attention lors de la manipulation d'une batterie afin qu'aucun déversement d'acide ne se produise, ce qui pourrait provoquer de la corrosion.

Midland décline toute responsabilité pour la perte de temps ou d'utilisation du produit, les frais de transport ou de remorquage, ou tout autre dommage indirect ou consécutif, inconvénient, ou perte commerciale.

Cette garantie est la seule et entière garantie donnée par Midland pour les produits ou équipements Midland. Aucun agent ou employé n'est autorisé à étendre ou à élargir cette garantie au nom de Midland par une déclaration ou une publicité écrite ou verbale.

Californie

Le California Air Resources Board et Midland Power Inc. sont heureux de vous expliquer la garantie du système antipollution de votre moteur de Midland Power Inc. En Californie, les nouveaux à allumage par étincelle petits moteurs à l'équipement hors route doivent être conçus, construits et équipés conformément aux strictes de l'Etat normes anti-smog.

D'autres États, territoires américains et Canada

Dans d'autres régions des États-Unis et au Canada, votre moteur doit être conçu, construit et équipé pour répondre à l'US EPA et Environnement Canada des normes d'émissions pour les moteurs à allumage par étincelle égale ou inférieure à 19 kW.

Tous les Etats-Unis et au Canada

Midland Power Inc doit garantir le système antipollution de votre moteur pour produit mécanique pour la période indiquée ci-dessous, pourvu qu'il n'y ait pas d'abus, de négligence ou un mauvais entretien de votre moteur pour produit mécanique. Si une telle condition existe, Midland Power Inc. réparera votre moteur pour produit mécanique, sans frais pour vous, y compris le diagnostic, les pièces et

main-d'oeuvre.

Votre système antipollution peut inclure des pièces telles que le carburateur ou système d'injection de carburant, le système d'allumage et le convertisseur catalytique. Il peut également inclure tuyaux, raccords et autres émissions liées ensemble.

Système de Contrôle des Émissions Pièces de Garantie:

Cette liste s'applique aux pièces fournies par Midland Power Inc. et ne couvre pas les pièces fournies par le fabricant de l'équipement. S'il vous plaît voir la garantie des émissions de l'équipement d'origine pour non-Midland Inc. pièces électriques.

Consommables sont couverts jusqu'à un maximum de 30 jours. Voir le Calendrier d'entretien dans le manuel du propriétaire.

Systèmes Couverts par la Garantie	Description des Pièces
Dosage du Carburant	Ensemble carburateur (inclut le démarrage du système d'enrichissement), le capteur de température du moteur, le module de commande du moteur, le régulateur de carburant, collecteur d'admission
Évaporation	Réservoir de carburant, bouchon de réservoir, des durites, tuyaux de vapeur, réservoir à charbon actif, supports de montage traîneaux, filtre à essence, robinet d'essence, Pompe à essence, Joint Tuyau de carburant, tuyau de purge Canister commun
Exhaust	Catalyseur, Collecteur d'échappement
Admission d'air	Cas du filtre à air, élément du filtre à air
Allumage	Volant magnétique, allumage du générateur d'impulsions, capteur de position du vilebrequin, bobine électrique, bobine d'allumage, le module de commande d'allumage, capuchon de bougie, bougie
Contrôle des émissions du carter	Crankcase breather tube, Oil filler cap
Pièces diverses	Tubes, raccords, joints, joints et colliers de serrage associés aux systèmes indiqués

Profitez-en!

Veillez vérifier chaque mois sur www.benchmark.midlandpowerinc.com
les mises à jour concernant votre produit.





Service à la clientèle

En Ligne : www.benchmark.midlandpowerinc.com

Courriel : support@midlandpowerinc.com

Numéro gratuit : 1-877-528-3772



BENCHMARKTM_{MC}

HH0403, BM1740, BLM2050E